



TOTAL MAINTENANCE SOLUTIONS
FLUSH VALVES
 COMPLETE UNITS

AMERICAN STANDARD



Manual Flush Valve, Closet

Manual Flush Valve, Urinal



Selectronic Flush Valve, Urinal

Selectronic Flush Valve, Closet

American Standard
 Style That Works Better

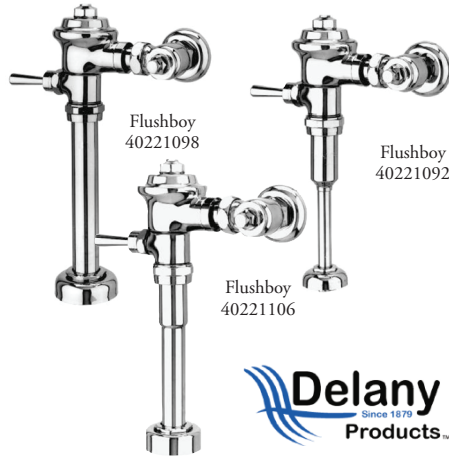
MANUAL PISTON-TYPE FLUSH VALVE

Part #	Description
40230010	1.0 GPF Urinal exposed manual top spud, 3/4" x 9" VB
40230095	1.0 GPF Urinal exposed manual top spud, 1-1/4" x 9"
40230100	.125 GPF Urinal exposed manual top spud, 3/4" x 9" VB
40230020	1.6 GPF Closet exposed manual top spud, 1-1/2" x 9" VB, 1" IP inlet
40230030	1.28 GPF Closet exposed manual top spud, 1-1/2" x 9" VB, 1" IP inlet

SELECTRONIC SENSOR OPERATED FLUSH VALVE

Part #	Description
40230045	.125 GPF Urinal Selectronic flush valve, 11-1/2" rough in
40230035	.5 GPF Urinal Selectronic flush valve, 11-1/2" rough in
40230040	1.0 GPF Urinal Selectronic flush valve, 11-1/2" rough in
40230050	1.28 GPF Closet Flow Wise Selectronic flush valve, ADA-compliant, 11-1/2" rough-in
40230060	1.6 GPF Closet Selectronic flush valve, ADA-compliant, 11-1/2" rough-in

DELANY



Flushboy 40221098

Flushboy 40221092

Flushboy 40221106



DELANY FLUSHBOY, CLOSET

Part #	Description
40220001	Delany Flushboy model 402 1" stop w/ 1-1/2" x 9" VB, 3.5 GPF
40221096	Delany Flushboy model 402 1" stop w/ 1-1/2" x 9" VB, 1.6 GPF
40221098	Delany Flushboy valve only for 1" stops. Valve less stop and VB, 3.5 GPF

DELANY FLUSHBOY, URINAL

Part #	Description
40221106	Delany Flushboy model 452 1" stop w/ 1-1/4" x 9" VB, 3.0 GPF
40221092	Delany Flushboy model 451 3/4" stop w/ 3/4" x 9" VB, 1.5 GPF
40221097	Delany Flushboy model 451 valve only, valve less stop and VB, 1.0 GPF



40221184

40221228

DELANY PULSAR RETROFIT

Replaces Delany Impulse Retrofit

Battery-powered, sensor-operated retrofit kit includes Pulsar Sensor unit with one (1) lithium battery with 10-year shelf life, low-battery indicator light, range adjustment and blank cover cap for existing handle.

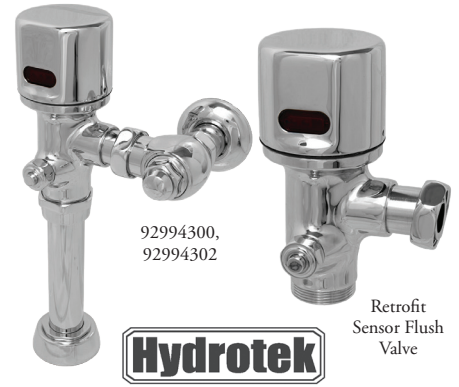
Part #	Description
40221184	Retrofit for Delany valves with 3/4" stops - 1.0 GPF/1.5 GPF
40221190	Retrofit for Delany closet - 3.5 GPF
40221226	Delany Retrofit for Sloan 186 valves, 4.5 GPF
40221227	Delany Retrofit for Sloan 110 valves
40221228	Delany remote control - for setting valves



LOOKING FOR DELTA FLUSH VALVES AND REPAIR PARTS?

TMS South is your source for complete Delta Flush Valves: manual or sensor, closet or urinal and all the repair parts that go with them. Contact your rep or call our friendly inside sales staff today for help finding the right products!

HYDROTEK



92994300,
92994302

Retrofit Sensor Flush Valve



8000 SERIES

Part #	Description
92994300	Sensor flush valve, 1.6 GPF Closet, 1" Stop and 1-1/2" x 9" VB
92994302	Sensor flush valve, 1.0 GPF Urinal, 3/4" Stop and 3/4" x 9" VB
40291029	Retrofit sensor flush valve, 1.6 GPF Closet for Sloan, Toto, and Zurn
40221191	Retrofit sensor flush valve, 1.6 GPF Closet for Delany
40291030	Retrofit sensor flush valve, 1.0 GPF Urinal for Sloan, Toto, and Zurn
92994310	Retrofit sensor flush valve, 1.0 GPF Urinal for Delany

TOTAL MAINTENANCE SOLUTIONS
FLUSH VALVES
 COMPLETE UNITS



KOHLER



KOHLER

MANUAL FLUSH VALVES

Part #	Description
40230500	Washout urinal 1.0 GPF retrofit flush valve, ADA-compliant. 3/4" x 9" VB
40230510	Toilet 1.6 GPF flush valve, ADA-compliant. 1-1/2" x 9" VB
90253517	Toilet 1.28 gpf flushometer valves

SENSOR FLUSH VALVES

40230520	Tripoint DC 1.6 WC flush valve, 1-1/2" x 9" VB
40230530	Tripoint HES 1.0 GPF blowout flush valve, 3/4" x 9" VB
90257531	Tripoint exposed hybrid 1.28 GPF flushometer

Other Tripoint and Wave Flush Valves with different GPF ratings are available

SLOAN
 Water Connects Us™



Sloan Royal

* Will fit Delany valves



Sloan GEM 2 Closet

ROYAL FLUSHOMETER

Part #	Description
40260100	Model 110, 1" stop. 1-1/2" x 9" VB, 3.5 GPF, closet
40261200	Model 111-1.6, 1" stop. 1-1/2" x 9" VB, 1.6 GPF, closet
40263910	Model 111-1.28, 1.28 GPF HET closet
40262400	Model 180, 1" stop. 1-1/4" x 9" VB, 3.5 GPF, urinal
40262600	Model 186, 3/4" stop. 3/4" x 9" VB, 1.5 GPF, urinal
91780320	Model 186, 3/4" stop. 3/4" x 9" VB, 1.0 GPF, urinal
40260024*	1.6 Closet , ground joint, valve only
40260025*	1.0 Urinal , ground joint valve only
3132980	3.5 Closet valve only

GEM 2 (PISTON VALVE)

Part #	Description
40261201	Model 111, 1" stop. 1-1/2" x 9" VB, 1.6 GPF, closet
91780140	Model 180, 1" stop. 1-1/4" x 9" VB, 1.0 GPF, urinal
91780150	Model 186, 3/4" stop. 3/4" x 9" VB, 1.0 GPF, urinal

SLOAN



Sloan Regal

* Will fit Delany valves



Sloan Optima G2 Plus Closet

REGAL PRO FLUSHOMETER

Part #	Description
40260110	Model 110XL, 1" stop. 1-1/2" x 9" VB, 3.5 GPF, closet
40265178	Model 111XL, 1" stop. 1-1/2" x 9" VB, 1.6 GPF, closet
40265179	Model 180XL, 1" stop. 1-1/4" x 9" VB, 3.5 GPF, urinal
40262610	Model 186XL, 3/4" stop. 3/4" x 9" VB, 1.5 GPF, urinal
40262624	Model 186-1 XL, 3/4" stop. 3/4" x 9" VB, 1.0 GPF, urinal
40260014	Closet valve only , 3.5 GPF
40261169	Urinal valve only
40260027*	1.5 Urinal , ground joint, valve only

OPTIMA G2 PLUS

Part #	Description
40260404	Model 8110, 1-1/2" VB. 3.5 GPF, battery-operated sensor, 1" closet
40268111	Model 8111, 1.6 GPF, 1" stop, closet
3234954	Model G2 8180-1, 1.0 GPF, 1-1/4" x 9" VB, 1" stop, urinal
40260403	Model 8186, 3/4" x 9" VB. 1.5 GPF battery-operated sensor, urinal
40268181	Model 8186-1 urinal , 1.0 GPF, 3/4" stop, 3/4" x 9 VB



TOTAL MAINTENANCE SOLUTIONS FLUSH VALVES COMPLETE UNITS



OPTIMA G2 RETROFIT CONVERSION KITS

Closet kit for Sloan
Royal or Regal
Part # 40261162

Urinal kit for Sloan
Royal or Regal
Part # 40260235

*Retrofit conversion kits are
available for Delany &
Zurn flush valves.*



1.28 GPF **Royal HET**
- Closet flush valve with
1-1/2" VB and 1" stop
Model 111-1.28
Part # 90200168

0.5 GPF **Royal HEU** –
Urinal flush valve with
3/4" x 9" VB and 3/4"
stop
Model 186-0.5
Part # 90202697

0.125 GPF **Royal HEU**
Model 186-0.125
Part # 90202633



1.6 GPF **Royal Optima**
Electronic hardwire –
Closet with 1-1/2" x 9"
VB and 1" stop
Model 111 ES-S
Part # 90200047

1.0 GPF **Royal Optima**
Electronic hardwire –
Urinal with 3/4" x 9" VB
and 3/4" stop
Model 186-1 ES-S
Part # 48000246



ECOS
Closet

ECOS
Urinal

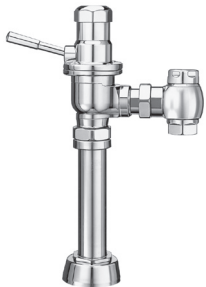


SOLIS
Urinal

SOLIS
Closet

Part #	Description
90200400	1.6 GPF ECOS Dual-flush, battery-powered – Closet with 1-1/2" x 9" VB and 1" stop, Model ECOS 8111-1.6/1.1
90200431	0.5 GPF ECOS Battery-powered (less override) – urinal with 3/4" x 9" VB and 3/4" stop, Model ECOS 8111-1.6/1.1
90200425	0.125 GPF ECOS Battery-powered (less override) – urinal with 3/4" x 9" VB and 3/4" stop, Model ECOS 8186-0.125

Part #	Description
90200000	1.6 GPF SOLIS Solar -powered sensor dual-flush – closet with 1-1/2" x 9" VB and 1" stop, Model SOLIS DF8111-1.6/1.1
90200002	1.28 GPF SOLIS Solar-powered sensor – closet with 1-1/2" x 9" VB and 1" stop, Model SOLIS 8111-1.28
90200001	1.0 GPF SOLIS Solar-powered sensor – urinal with 3/4" x 9" VB and 3/4" stop, Model SOLIS 8186-1
90200004	0.5 GPF SOLIS Solar-powered sensor – urinal with 3/4" x 9" VB and 3/4" stop, Model SOLIS 8186-0.5
90200005	0.125 GPF SOLIS Solar-powered sensor – urinal with 3/4" x 9" VB and 3/4" stop, Model SOLIS 8186-0.125



SLOAN
DOLPHIN
FLUSHOMETER
1.6 GPF **Dolphin** –
closet with 1-1/2" x 9"
VB and 1" stop
Model 111
Part # 48000327

MANUAL FLUSH VALVES

Part #	Description
92752004	1-1/2" x 9" VB, 1" Angle stop. 1.6 GPF, closet
92752006	1-1/2" x 9" VB, 1" Angle stop. 3.5 GPF, closet
92752008	3/4" x 9" VB, 3/4" Angle stop. 1.0 GPF, urinal

SENSOR FLUSH VALVES

Part #	Description
40240045	ECOPOWER Urinal flush valve, .5 GPF with self-generating power system
40240030	ECOPOWER Urinal flush valve, 1.0 GPF with self-generating power system
40240035	ECOPOWER Closet flush valve, 1.28 GPF with self-generating power system
40240020	ECOPOWER Closet flush valve, 1.6 GPF with self-generating power system

TOTO

TOTO®



FLUSH VALVES

COMPLETE UNITS



ZURN



AQUAFLUSH® EXPOSED FLUSH VALVE

With top spud connection for water closets

Part #	Description
40291013	3.5 GPF Closet, 1-1/2" x 9" VB
40291093	1.6 GPF Closet, 1-1/2" x 9" VB
40290428	1.28 GPF Closet, 1-1/2" x 9" VB

AQUAVANTAGE® EXPOSED FLUSH VALVE FOR WATER CLOSETS

Part #	Description
40291088	3.5 GPF, 1-1/2" x 9" VB
40291090	1.6 GPF, Watersaver, 1-1/2" x 9" VB

AQUASENSE SENSOR OPERATED FLUSH VALVES, CLOSET

Part #	Description
40296200	1.6 GPF Sensor-operated closet flush valve, 1-1/2" x 9" vacuum breaker
40291280	1.28 GPF Sensor-operated closet flush valve, 1-1/2" x 9" vacuum breaker

With top spud connection for 3/4" urinals

Part #	Description
40291035	1.5 GPF Urinal, 3/4" x 9" VB
40291038	1.0 GPF Urinal, 3/4" x 9" VB
48000429	0.5 GPF Urinal, 3/4" x 9" VB

AQUAVANTAGE® EXPOSED FLUSH VALVE FOR URINALS

Part #	Description
40291089	1.5 GPF, Watersaver, 1-1/4" x 9" VB
40291092	1.5 GPF, 3/4" x 9" Vacuum breaker
40291091	1.0 GPF, 3/4" x 9" Vacuum breaker

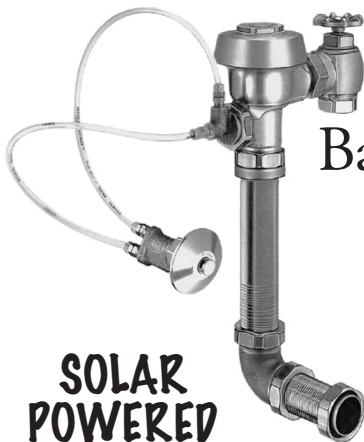
AQUASENSE SENSOR OPERATED FLUSH VALVES, URINAL

Part #	Description
40296203	1.0 GPF Sensor-operated urinal flush valve, 3/4" x 9" vacuum breaker
40291270	.5 GPF Sensor-operated urinal flush valve, 3/4" x 9" vacuum breaker
40291271	.125 (Pint) Sensor-operated urinal, 3/4" x 9" vacuum breaker

DON'T SEE YOUR FLUSH VALVE?

There are many more flush valves available! Please call us to help you find yours!

EXPOSED



SOLAR POWERED

1.0 GPF

Battery Powered

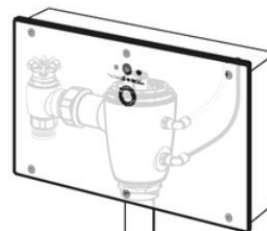
3.5 GPF

Concealed



1.6 GPF

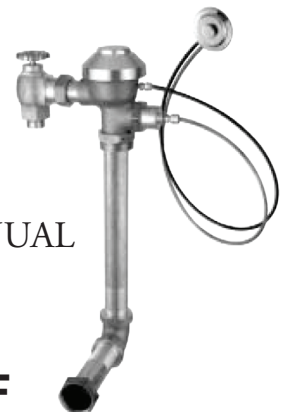
Sensor



Hardwired

MANUAL

.25 GPF



.5 GPF

High Efficiency

BEDPAN DIVERTER



TOTAL MAINTENANCE SOLUTIONS FLUSH VALVES COMPLETE UNITS

SIDE MOUNT OPERATORS



40260003



40260022



40260001



40260002

SLOAN SMO CONVERSION KITS

Part #	Description
40260003	"Old-Style" side-mount operator with override & metal cover for Sloan Optima or Zurn
40260012	Same as above with CP plastic cover
40260470	Side-mount operator with override & plastic cover for Delany
40260022	"Smooth" side-mount operator, over-the-handle battery powered
40260001	"New-Style" side-mount operator
40260002	"New-Style" dual-flush side mount operator

E-Z FLUSH RETROFIT KIT FOR ALL FLUSH VALVES

Makes updating your existing handle-operated flush valves a breeze. Simply remove handle assembly and replace it with the E-Z Flush retrofit kit (batteries included).

Part #	Description
40265105	TMS retrofit kit
40296025	E-Z Flush with metal cover



40296025

ZURN ZRK RETROFLUSH KITS

With chrome metal housing retrofits to Zurn and Sloan Royal® and Sloan Regal® flush valves.

Part #	Description
40291101	Sensor kit for 1.6 closet
40221059	Sensor kit for 3.5 closet
40291100	Sensor kit for 4.5 closet
40291103	Sensor kit for 1.0 urinal
40291085	Sensor kit for 1.5 urinal
40291102	Sensor kit for 3.0 urinal



40296025

DELANY

BEDPAN DIVERTER

For pre-rinsing of the bedpan before sanitizing. The assembly is for installation with existing flush valves, or for replacement of the existing diverter valve. Includes bedpan diverter, valve assembly, wall support, spud nut, and spud flange assembly.

Part # 92235000 (Less vacuum breaker)
Part # 40222000 (With vacuum breaker, as shown)



BEDPAN DIVERTERS

SLOAN

SLIMLINE BEDPAN WASHER DIVERTER ASSEMBLY

For use in retrofit installations where flushometers are currently installed and where grab bars are present. Installation meets ADA height requirements. Solid one-piece body construction, counterbalanced pivot assembly, solid brass spray arm.

Part # 40268951



SLIMLINE BEDPAN WASHER DIVERTER ASSEMBLY

For use in retrofit installations where flushometers are currently installed and for replacing older in-line type bedpan washers. Solid, one-piece body construction, counterbalanced pivot assembly, solid brass spray arm.

Part # 40261165



ZURN

AQUAVANTAGE® AV AQUAFLUSH® BEDPAN WASHER SERIES

Z6000-DVN

Exposed bedpan washer for water closets. Includes bedpan washer, wall bracket and support bracket, high-pressure vacuum breaker, vacuum breaker tube nut, 1-1/2" (38mm) flush tubes, fixture spud escutcheon, and fixture spud-securing nut.

Part # 40296040



Z6011-DVN

Exposed bedpan washer for water closets with handicap grab bar applications. Includes bedpan washer, wall bracket and support bracket, high-pressure vacuum breaker, vacuum breaker tube nut, 1-1/2" (38mm) flush tubes, fixture spud escutcheon, and fixture spud-securing nut.

Part # 40296041



FLUSH VALVES

FLUSH VALVE REPAIR PARTS



AMERICAN STANDARD MANUAL

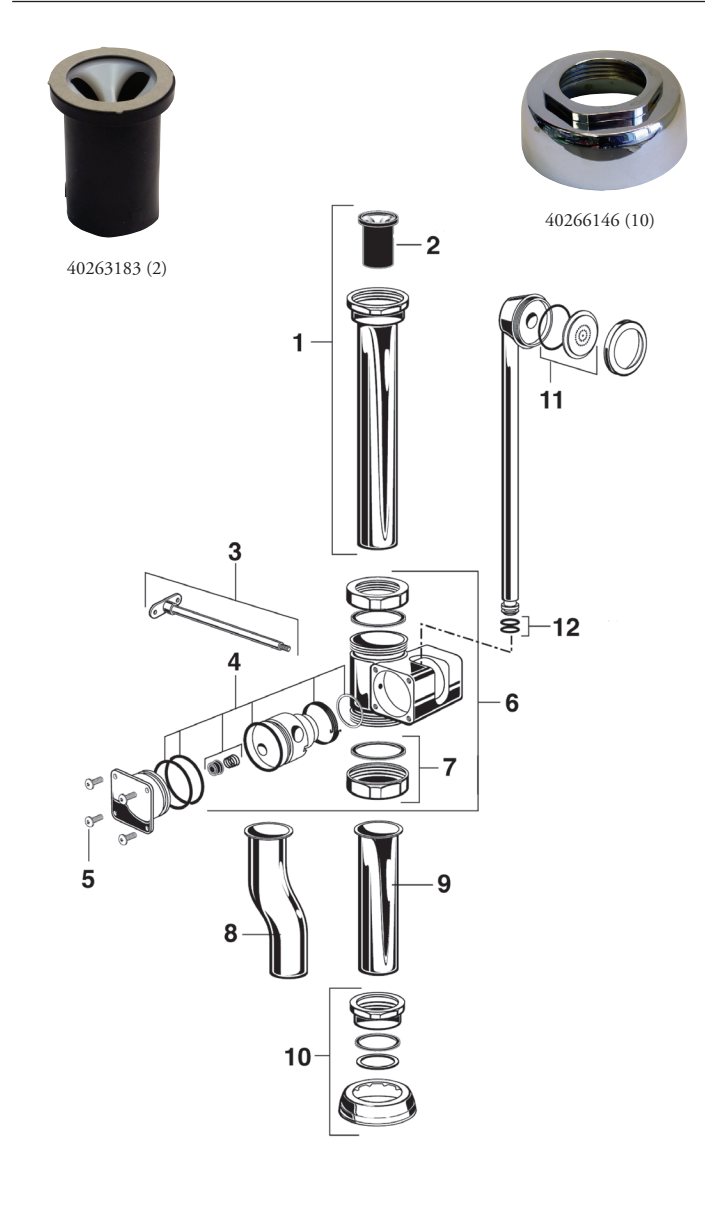
EXPOSED FLUSH VALVE FOR TOP SPUD URINALS, 1.0 GPF

Item	Part #	Description
1	40121234	Cap seal
2	40121360	Piston assembly 1.6 GPF – closet
	40121361	Piston assembly 1.28 GPF – closet
	40121220	Piston assembly 1.0 GPF – urinal
	40121219	Piston assembly, .5 GPF – urinal
	40121218	Piston assembly, .125 (Pint) - urinal
3	40121221	Handle assembly
4		Adjustable tailpiece (4-1/4" to 5-1/4" rough-in)
	40121240	Adjustable tailpiece (5-1/4" to 6-1/4" rough-in)
	40121245	Adjustable tailpiece (6-1/4" to 7-1/4" rough-in)
5	40263005	Vacuum breaker assembly 3/4" x 9"
	40261040	Vacuum breaker assembly 1-1/2" x 9"
6	40266125	Escutcheon kit (3/4")
	40266146	Escutcheon kit (1-1/2")
7	40121365	Vacuum breaker repair kit
8		Sweat adapter kit
9		1" Supply stop
10	40124347	Supply stop cap



MANUAL FLUSH VALVE WITH BEDPAN WASHER

Item	Part #	Description
1		Vacuum breaker assembly
2	40263183	Vacuum breaker repair kit
3		Support brace
4	40124306	Diverter rebuild kit
5		Screws
6		Diverter assembly complete
7		Coupling kit
8		1-1/2" Offset tailpiece
9		Straight tailpiece
10	40266146	Escutcheon kit
11	40124295	Spray face kit
12	40124307	Spray arm seal kit





TOTAL MAINTENANCE SOLUTIONS

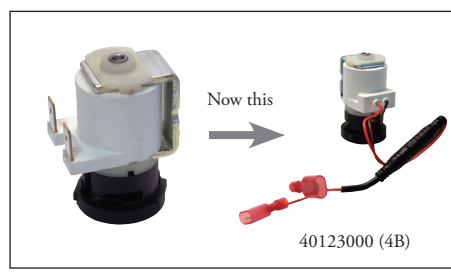
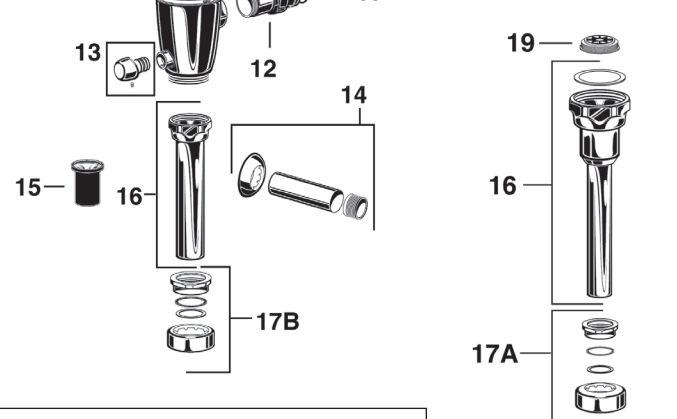
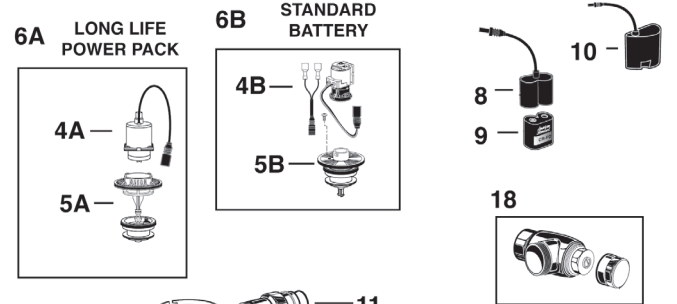
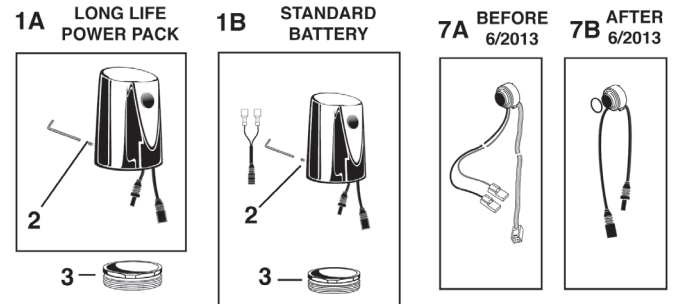
FLUSH VALVES

FLUSH VALVE REPAIR PARTS

AMERICAN STANDARD SENSOR

SELECTRONIC DC POWERED PROXIMITY EXPOSED FLUSH VALVE

Item	Part #	Description
1A	40124940	Cover assembly (0.5 GPF)
	40124941	Cover assembly (1.0 GPF)
	40124942	Cover assembly (1.28 GPF)
	40124943	Cover assembly (1.6 GPF)
1B	40124944	Cover assembly (0.5 GPF)
	40124945	Cover assembly (1.0 GPF)
	40124946	Cover assembly (1.28 GPF)
	40124947	Cover assembly (1.6 GPF)
2	50300150	Metric security set screw
	20300150	Metric security tool
3	40126684	Bonnet nut
4A	40121363	Solenoid assembly
4B	40121225	Solenoid assembly
5A	40121364	Piston assembly (closet)
	40269649	Piston assembly (urinal)
5B	40121228	Piston assembly (closet)
	40123006	Piston assembly (urinal)
6A	40269645	Solenoid & piston subassembly (closet)
	40269647	Solenoid & piston subassembly (urinal)
6B	40121362	Solenoid & piston subassembly (closet)
	40269648	Solenoid & piston subassembly (urinal)
7A	NLA	Urinal sensor (0.5 GPF) Replace with 40124940
	NLA	Urinal sensor (1.0 GPF) Replace with 40124941
	40121230	Closet sensor (1.28 GPF)
	40121229	Closet sensor (1.6 GPF)
7B	40121368	Urinal sensor assembly (0.5 GPF)
	40121369	Urinal sensor assembly (1.0 GPF)
	40121367	Sensor assembly (1.28 GPF)
	40121366	Sensor assembly (1.6 GPF)
8		Battery holder
9	92994280	Battery 6V CR-P2
10	40121370	Long life power pack (urinal)
	40269503	Long life power pack (closet)
11	40121371	O-ring
12		Adjustable tailpiece (4-1/4" to 5-1/4" rough-in)
	40121240	Adjustable tailpiece (5-1/4" to 6-1/4" rough-in)
	40121245	Adjustable tailpiece (6-1/4" to 7-1/4" rough-in)
		Adjustable tailpiece (7-1/4" to 8-1/4" rough-in)
13	40121372	Manual valve
14		Sweat adapter kit
15	40263183	Vacuum breaker kit
16	40263005	Vacuum breaker assembly 3/4" x 9"
	40261040	Vacuum breaker assembly 1-1/2" x 9"
17A	40266125	3/4" Spud assembly
17B	40266146	1-1/2" Spud assembly
18		1" Stop valve kit – no repair kit
		3/4" Stop valve kit – no repair kit
19	40121227	Flow regulator (urinal)



40121223, 40121224,
40121230, 40121229 (7A)
Before 6/2013



92994280 (9)
Product may vary



40263183 (15)



40266125, 40266146 (17)



40121227 (19)



40121228, 40123006 (5B)

FLUSH VALVES

FLUSH VALVE REPAIR PARTS

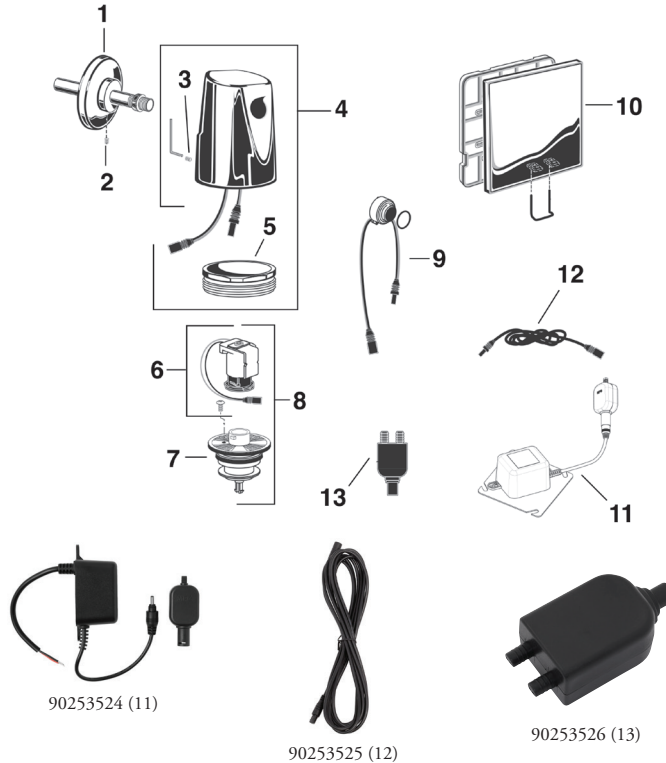


AMERICAN STANDARD SENSOR

SELECTRONIC AC POWERED PROXIMITY EXPOSED TOILET FLUSH VALVE

1.1, 1.28, 1.6/1.1, 1.28/1.1 GPF, After November 2017

Item	Part #	Description
1		Escutcheon and conduit assembly
2		Wall flange set screw
3		Set screw
4	90253520	Cover assembly 1.28 GPF
	90253521	Cover assembly 1.6 GPF
	90253522	Cover assembly 0.5 GPF
	90253523	Cover assembly 1.0 GPF
5	40126684	Bonnet nut
6	40121225	Solenoid assembly
7	40121226	Piston assembly - urinal
	40121228	Piston assembly - closet
8	40269648	Solenoid & piston assembly - urinal
	40121362	Solenoid & piston assembly - closet
9	40121368	Sensor assembly 0.5 GPF
	40121369	Sensor assembly 1.0 GPF
	40121230	Sensor assembly 1.28 GPF
	40121366	Sensor assembly 1.6 GPF
10		Cover plate assembly
11	90253524	Power supply - hard wire AC
12	90253525	10 ft Extension cable
13	90253526	Y-Adapter multi - AC



COMMON REPAIR PARTS



40121225 (6 top, 10 bottom))



40121226, 40121228 (7 top, 11 bottom))



40269648, 40121362 (8 top, 9 bottom))

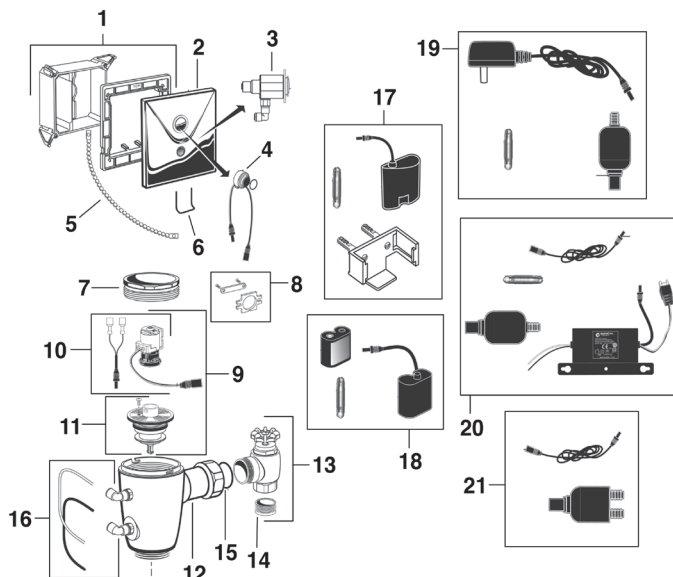


40121368, 40121369, 40121230, 40121366 (9 top, 4 bottom))

SELECTRONIC® PROXIMITY TOILET CONCEALED FLUSH VALVE

1.1, 1.28 & 1.6 GPF, Model Numbers 606B2XX

Item	Part #	Description
1		Electronic Box Assy
2		Cover with Seal - Specify gpf
3		Manual Override Button
4	40121368	Sensor 0.5 gpf
	40121369	Sensor 1.0 gpf
	40121367	Sensor 1.28 gpf
	40121366	Sensor 1.6 gpf
5		Chain Assembly
6	90253527	"U" Key for Cover
7	90253528	Bonnet Nut
8	90253529	Sensor Mounting Kit - small plate
9	40269648	Solenoid & Piston - Urinal
	40121362	Solenoid & Piston - Closet
10	40121225	Solenoid Assy - Urinal & Closet
11	40121226	Piston Assy - Urinal
	40121228	Piston Assy - Closet
12		Adjusting Tailpiece
13		3/4" Stop valve - RB
		1" Stop valve - RB
14		Sweat adapter 3/4" or 1"
15	40950069	O-Ring
16	90253530	Manual valve hose kit
17	90253531	PWRX Power Kit
18	90250415	CR-P2 Battery Power Kit
19	90250418	Plug-In AC
20	90250416	Hard-Wire AC
21	90250417	Multi-AC Power Kit





TOTAL MAINTENANCE SOLUTIONS
FLUSH VALVES
 FLUSH VALVE REPAIR PARTS

AMERICAN STANDARD SENSOR

INNSBROOK URINAL 6520. SERIES
 0.5 GPF

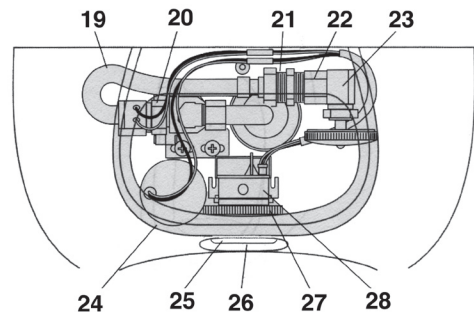
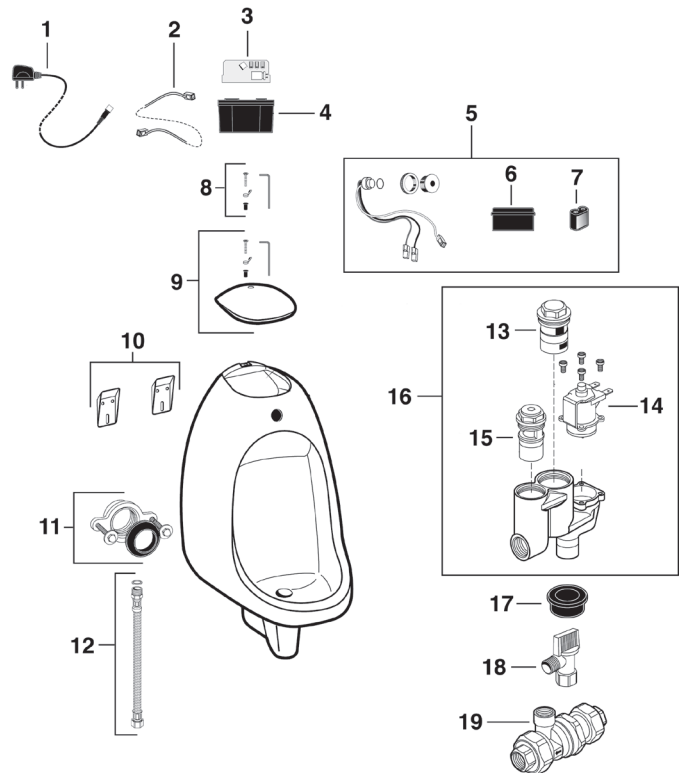
SELECTIONIC

Item	Part #	Description
1		Plug-in power supply
2		10' Connection cable
3		Multi-board
4		Multi-board case assembly
5	48000022	Kit 240 electronic/sensor assembly
6		Battery case
7		Photo lithium battery
8		Cover mounting kit
9		Urinal cover with cover mounting kit
10	4246170	K-2 hangers (1 per pack)
11		Outlet connection
12		Flex hose
13		Strainer
14	40110071	Solenoid
15		Supply stop
16		Manifold assembly
17		Rubber grommet
18		1/4 Turn shutoff valve
19		Backflow preventer

PROXIMITY BATTERY POWER AND HARD WIRE

Item	Part #	Description
19	NLA	Flexible supply
20	NLA	Solenoid valve
21	40127381	Filter washer
22	NLA	Flow control washer
23	NLA	Shutoff assembly
24	40127382	Battery holder assembly
25	40128117	Bezel window
26	NLA	Bezel face
27	NLA	Bezel assembly
28	40128715	Electronic control module with IR sensor
*	40128227	Power supply
*	40129436	DC power cord
*		Special screwdriver

*Not shown



40110071 (14, top)



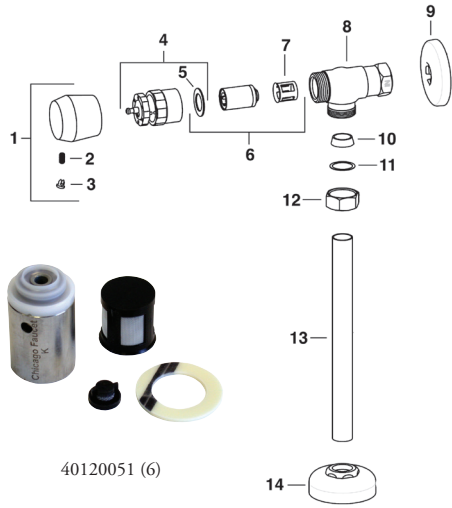
**LOOKING FOR
 CENTRAL BRASS SLOW
 CLOSE VALVES?
 SEE OUR FAUCET REPAIR
 SECTION**

FLUSH VALVES

FLUSH VALVE REPAIR PARTS



CHICAGO FAUCET



40120179 (1)



40120058 (4)

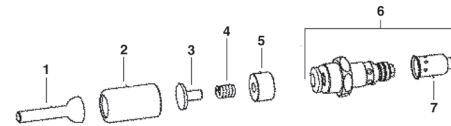
URINAL VALVE MODELS 732-OHCP AND 733-OHCP

Item	Part #	Description
1	03150506	Handle
2		Bonnet
3		Plunger
4		Spring
5		Sleeve
6	03150504	Oscillating handle unit
7		Slow dashpot assembly



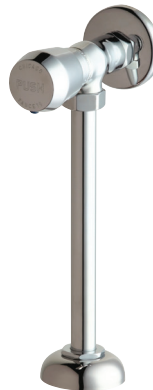
732-OHCP

733-OHCP



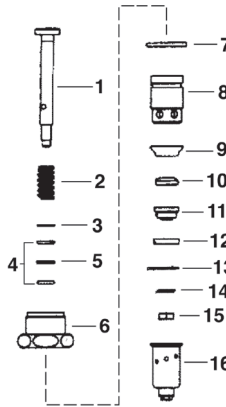
URINAL VALVE MODEL 732-665PSHCP

Item	Part #	Description
1	40120176	Push-handle assembly
2		Set screw
3		Buttons, hot and cold
4	40120058	Actuator assembly
5		Sealing washer
6	40120051	Metering valve cartridge
7		Filter
8		Valve body (not sold separately)
9		Wall flange
10		Rubber washer
11		Washer
12		Nut
13		Tube
14		Flange assembly pre-pack



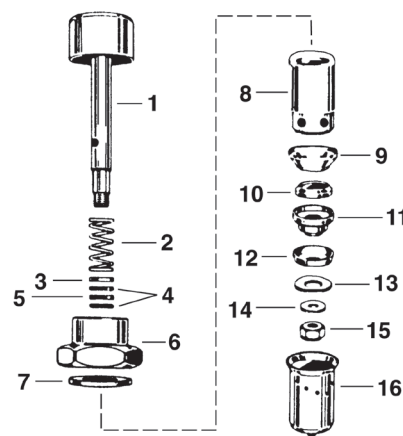
NAIAD CARTRIDGE WITH DASHPOT AND OSCILLATING HANDLE

Item	Part #	Description
1		Button & stem assembly
2	40120655	Spring
3	40120656	Washer
4	40120657	O-rings
5	40120658	Leather washer
6		Cap
7	40120660	Gasket
8		Sleeve
9	40110172	Seat
10	40120252	Washer
11	40120661	Retainer
12	40120662	Cup
13	40120663	Washer
14	40110167	Washer
15	40120265	Nut
16		Dash Pot



NAIAD SELF-CLOSING UNIT PARTS

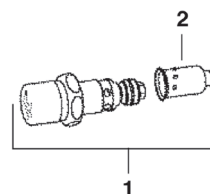
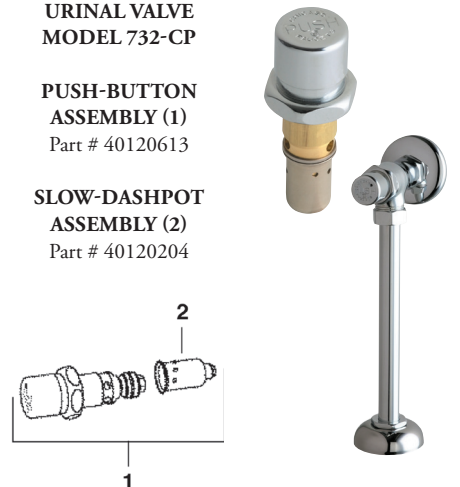
Item	Part #	Description
1	40120654	Button & stem assembly
2	40120655	Spring
3	40120656	Brass washer
4	40120657	O-rings
5	40120658	Leather washer
6	40120659	Cap nut
7	40120660	Gasket
8		Sleeve
9	40110172	Monel seat
10	40120252	Rubber seat washer
11	40120661	Retainer
12	40120662	Rubber cup
13	40120663	Washer
14	40110167	Stem washer
15	40120265	Nut
16	40120204	Slow dashpot



URINAL VALVE MODEL 732-CP

PUSH-BUTTON ASSEMBLY (1) Part # 40120613

SLOW-DASHPOT ASSEMBLY (2) Part # 40120204





TOTAL MAINTENANCE SOLUTIONS

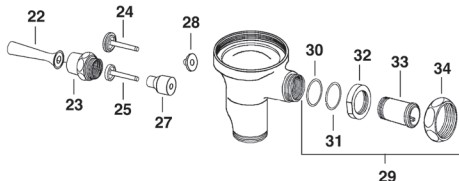
FLUSH VALVES

FLUSH VALVE REPAIR PARTS

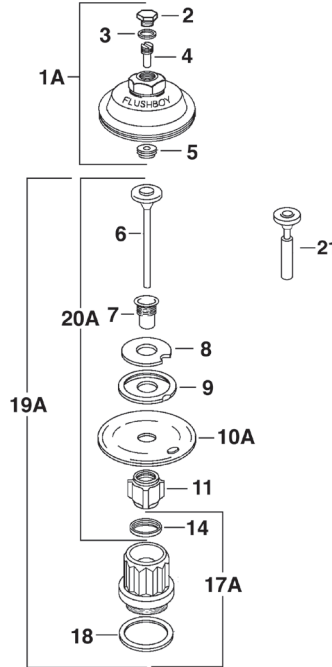
DELANY MANUAL

FLUSHBOY RENEWAL PARTS

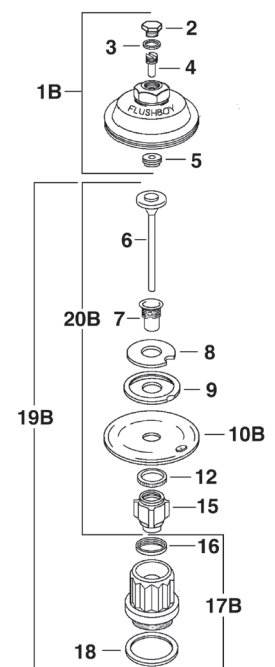
Item	Part #	Description
1A	40221024	Cover assembly
1B	40221312	Cover assembly, 3.5 GPF
1C	40221313	Cover assembly, 1.6 GPF
1D	40221314	Cover assembly, 1.0 GPF
2	40221000	Cover screw
3	40221001	Washer for cover screw (omitted in later production)
4	NLA	Regulating screw (must use cover assembly 1A-1D)
5	40221004	Packing for cover
6	40221171	Auxiliary valve
7	40221006	Diaphragm bushing, plastic
7A	40221315	Diaphragm bushing, brass
8	40221007	Auxiliary valve seat
9	40221008	Auxiliary valve seat holder
10A	40221026	Diaphragm w/ auxiliary valve seat 4.5 GPF
	40221100	Diaphragm w/ auxiliary valve seat 4.5 GPF, non OEM
10B	40221065	Diaphragm w/ auxiliary valve seat 3.5 GPF
10C	40221066	Diaphragm w/ auxiliary valve seat 1.6 GPF
10D	40221030	Diaphragm w/ auxiliary valve seat 1.0 GPF
	40221027	Diaphragm w/ auxiliary valve seat 1.5 GPF
	40221087	Diaphragm w/ auxiliary valve seat 1.5 GPF, non OEM
11	40221009	Seat guide
12	40221067	Refill ring, 3.5/1.6
13	40221028	Seat guide
14	40221010	Choke ring 4.5 GPF valves
15	40221068	Seat guide, 3.5/1.6
16	40221069	Choke ring for main valve seat
17A	40221025	Main valve seat
17B	40221070	Main valve seat
17C	40221071	Main valve seat
18	40221011	Main valve seat washer
19A	40221072	Diaphragm operating assembly 4.5 GPF
19B	40221073	Diaphragm operating assembly 3.5 GPF
19C	40221182	Diaphragm operating assembly 1.6 GPF
	40221074	Diaphragm operating assembly 1.6 GPF, OEM
19D	40221075	Diaphragm operating assembly 1.0 GPF
	40221316	Diaphragm operating assembly 1.0 GPF, OEM
20A	40221076	Diaphragm operating assembly (less seat) 4.5 GPF
20B	40221077	Diaphragm operating assembly (less seat) 3.5 GPF
20C	40221078	Diaphragm operating assembly (less seat) 1.6 GPF
20D	40221079	Diaphragm operating assembly (less seat) 1.0 GPF
21	40221080	Auxiliary valve (for non-hold open)
22	NLA	Handle
23	NLA	Handle nut
24	40221102	Operating stem (for non-hold open, use w/ item 21), 1-13/16"
25	40221014	Operating stem (overall length 1-7/8")
22-24, 27	40221022	Handle assembly
27	40221089	Flexer
28		Brass insert converter
29	40221015	KwikFit tailpiece assembly
30	40950069	O-ring
31	40221018	Clamping ring
32	NLA	Clamping nut (available only as part of kit part # 40221015)
33	40221020	KwikFit union tailpiece
34	NLA	Union nut (available only as part of kit part # 40221015)



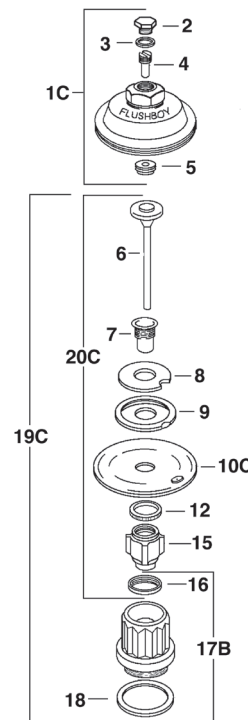
With "Turn-to-Silence/4.5 GPF" on cover, Valves with 1" Supply



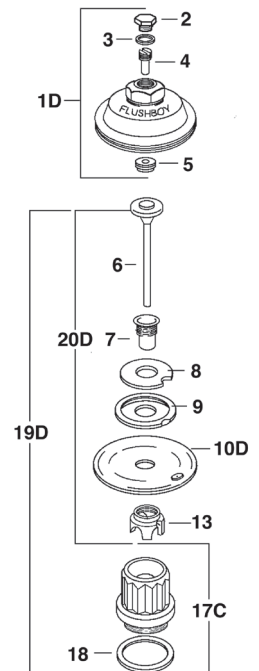
With "Water Saver/3.5 GPF" on cover, Valves with 1" Supply



With "1.6 GPF" on cover, Valves with 1" Supply



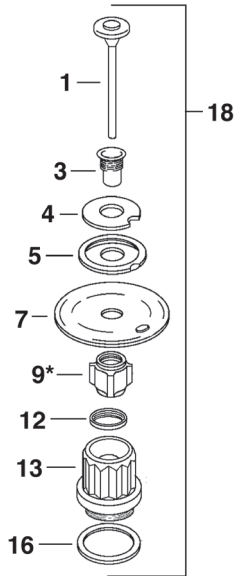
With "1.0 GPF" on cover, Valves with 3/4" Supply



TOTAL MAINTENANCE SOLUTIONS
FLUSH VALVES
 COYNE & DELANY



COMMON INSIDE REPAIR PARTS
 for Delany Flushboy



40221171 (1)



40221008 (5)



40221028 (9*)
 (*1.0 GPF Urinal)



40221069 (12) Choke Ring
 for Flushboy 3.5 GPF and
 1.6 GPF



40221071 (includes choke
 ring and washer)
 1.0 GPF Urinal



40221026 (4.5 GPF),
 40221065 (3.5 GPF),
 40221066 (1.6 GPF),
 40221027 (1.5 GPF),
 40221030 (1.0 GPF)
 (4, 7)



40221009 (9)
 4.5 GPF Turn to Silence



40221010 (12)
 (4.5 GPF)



40221025 (12, 13, 16)
 4.5 GPF Closet



40221011 (16)



40221067 (12)
 Refill Ring for Flushboy 3.5
 GPF and 1.6 GPF



40221068 (9*)
 (3.5 and 1.6 GPF Flushboy)



40221072, 40221073 40221075, 40221074 (18)

***SEAT VARIES
 DEPENDING UPON
 GPF**

**COMMON INSIDE
 REPAIR PARTS**
 for Delany Flushboy,
 Presto and Rex



40221007 (4)

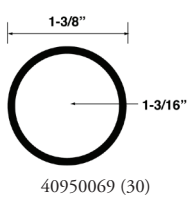
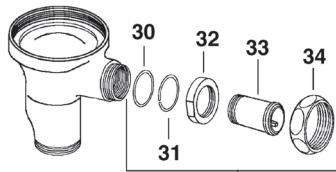


40221315 (Brass, 3)

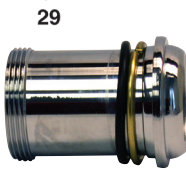


40221006 (Plastic, 3)

COMMON TAILPIECE PARTS
 for Delany



40950069 (30)



40221020 (33)



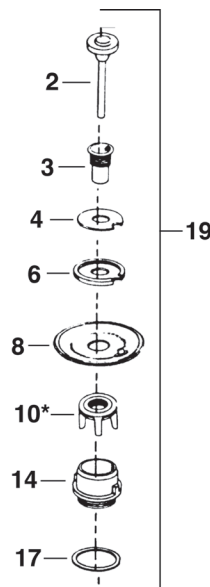
40221018 (31)



40221015 (29)

(32) and (34) available only
 in 40221015 (29)

COMMON INSIDE REPAIR PARTS
 for Delany Presto and Rex



PRESTO

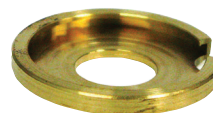
***SEAT VARIES
 DEPENDING UPON
 GPF**



40221308 (2)



40221235 (10*)
 (*3/4" Supply)



40221233 (6)



40221234 (10*)
 (1" Supply or larger)



40221258, 40221240
 (4, 8)
 Leather



40221236 (19)
 (Presto/Rex, 1" valves or
 without Turn-to-Silence)
 40221088 (Turn-to-Silence)



TOTAL MAINTENANCE SOLUTIONS

FLUSH VALVES

FLUSH VALVE REPAIR PARTS

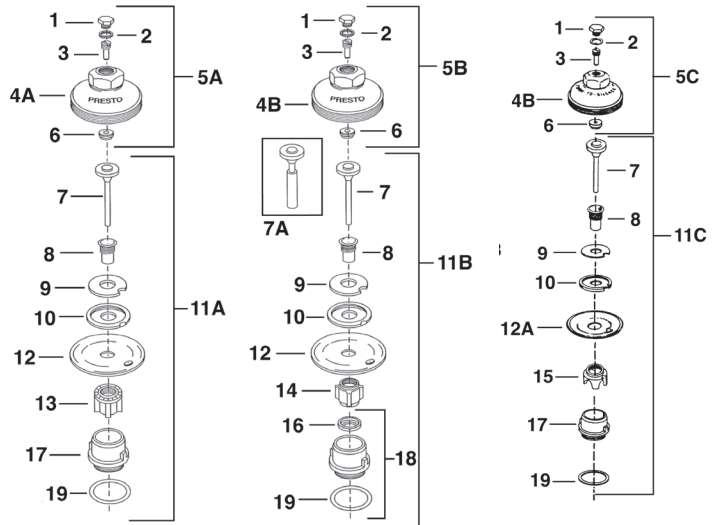
DELANY MANUAL

Item	Part #	OEM #	PRESTO Description
1	40221000	P3	Cover screw
2	NLA	P2	Washer for cover screw
3	NLA	P4	Regulating screw
4A		P109	Cover
4B		P109Q	Cover (for valves w/ Turn to Silence)
5A		P109A	Cover assembly
5B		P109AQ	Cover assembly (Turn to Silence valves)
5C		P109-1AQ	Cover assembly for 3/4" supply
6	40221004	P28G	Packing for cover
7	40221308	P114	Auxiliary valve
7A	40221300	P180	Auxiliary valve (non-hold open)
8	40221006	P16	Diaphragm bushing, plastic
	40221315		Diaphragm bushing, brass
9	40221007	P8	Auxiliary valve seat
10	40221233	P104	Seat holder
11A	40221236	P107AC	Diaphragm operating assembly (valves w/ 1" or larger supply)
11B	40221088	NLA use P107AC	Diaphragm operating assembly (valves w/ 1" supply or larger)
11C	40221237	P107AU	Diaphragm operating assembly (valves w/ 3/4" or smaller supply)
12	40221258	P107C	Diaphragm kit, closet
12A	40221240	P107U	Diaphragm kit, urinal
13	40221234	P103C	Seat guide (valves w/ 1" supply or larger)
14	40221009	P170-4	Seat guide (1" supply or larger)
15	40221235	P103U	Seat guide (3/4" supply)
16	40221010	P171-4-1	Choke ring for main seat
17		P102P1A	Main valve seat w/ P108 seat washer
18	40221231	P102-4A	Main seat w/ P108 & P171-4-1
19		P108	Main valve seat washer

With 1" Supply without
"Turn-to-Silence" on
Cover

With 1" Supply with
"Turn-to-Silence" on
Cover

With 3/4" Supply with or
without "Turn-to-Silence"
on Cover



HANDLE ASSEMBLY ON NEXT PAGE



40221236 (11A)



40221231 (18)

VENTED CONNECTION VACUUM BREAKERS

Item	Part #	Description
1	40221125	Cowl nut
2	40221083	Rubber sleeve
3	40221256	1-1/4" x 9"
	40221337	1-1/4" x 12"
	40221338	1-1/4" x 15"
	40221339	1-1/4" x 22-1/2"
4	40221176	1-1/2" x 9"
	40221340	1-1/2" x 12"
	40221341	1-1/2" x 15"
	40221342	1-1/2" x 22-1/2"
5	40221257	3/4" x 9" Subassembly
	40221343	3/4" x 12" Subassembly
	40221344	3/4" x 15" Subassembly



40221125 (1)



40221083 (2)



40221256,
40221337,
40221338,
40221339 (3)



40221176,
40221340,
40221341,
40221342 (4)



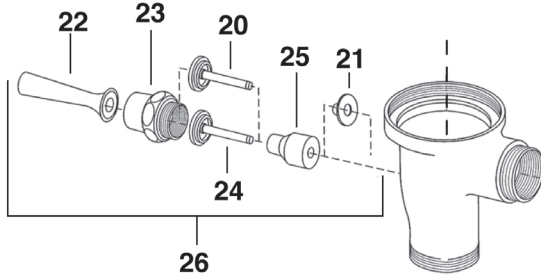
40221257,
40221343,
40221344 (5)

TOTAL MAINTENANCE SOLUTIONS
FLUSH VALVES
 FLUSH VALVE REPAIR PARTS

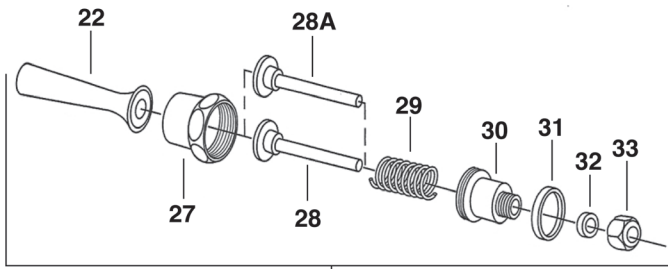


DELANY MANUAL

PRESTO/EMPIRE FLUSH VALVE HANDLE ASSEMBLY
 (For Empire Parts replace "P" for Presto Prefix with "E" for Empire)



CURRENT HANDLE STYLE



34

OLD STYLE SPRING-LOADED HANDLE

Item	Part #	OEM #	Description
20	92232007	P186	Operating stem (1-9/16" long) (for non-hold open)
21	NLA	BIC222	Brass insert converter
22	NLA	P36	Handle
23	NLA	P224	Handle nut
24	40221185	P-223-2	Operating stem (1-7/8" long)
25	40221089	P222-3	Flexer
24, 25	40221103		Handle kit
26	40221082	P333A	Rubber flex handle assembly (Turn to Silence)
27		P34	Handle nut
28	NLA	P33	Operating stem (1-29/32" long)
28A	NLA	P33N	Operating stem (1-27/32" long)
29		P32	Spring
30		P29	Spring housing
31	NLA	P30	Coupling washer
32	NLA	P26	Packing washer
33	NLA	P28L	Packing nut
34	40221303	P35A	Spring-loaded handle assembly

Available in kit
Part # 40221082

Available
as part
of kit
Part #
40221303

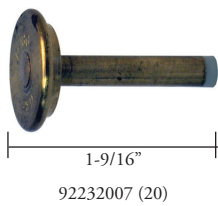
**HANDLE REPAIR PARTS COMMON TO
 FLUSHBOY, PRESTO AND REX**



40221089 (25)



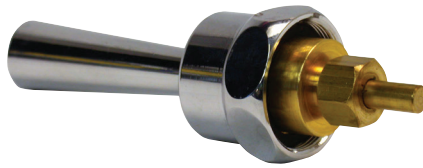
40221185 (24)



1-9/16"
92232007 (20)



40221082 (26)



40221303 (34)



40221103 (20, 25)



TOTAL MAINTENANCE SOLUTIONS

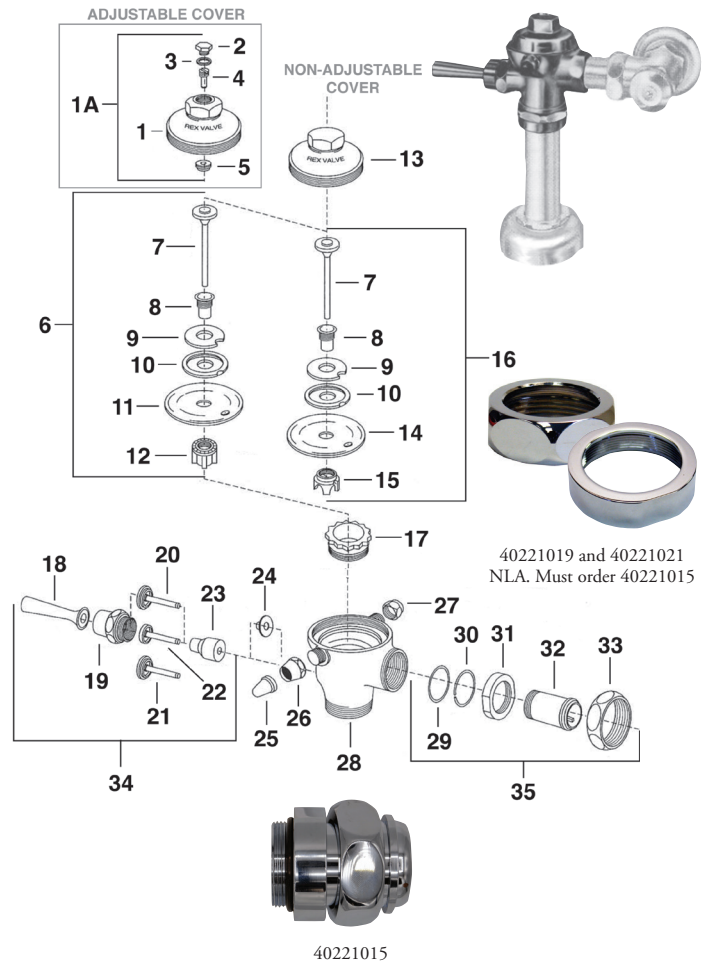
FLUSH VALVES

FLUSH VALVE REPAIR PARTS

DELANY MANUAL

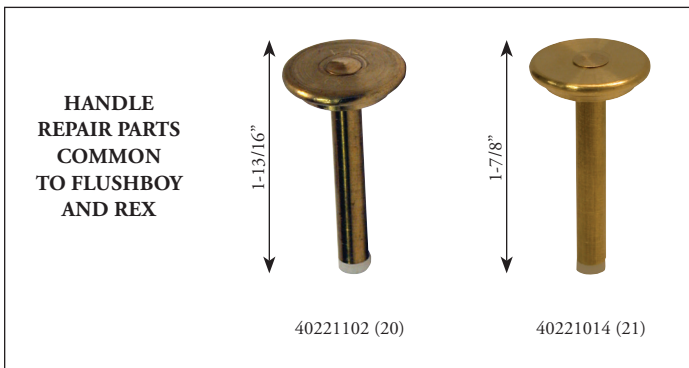
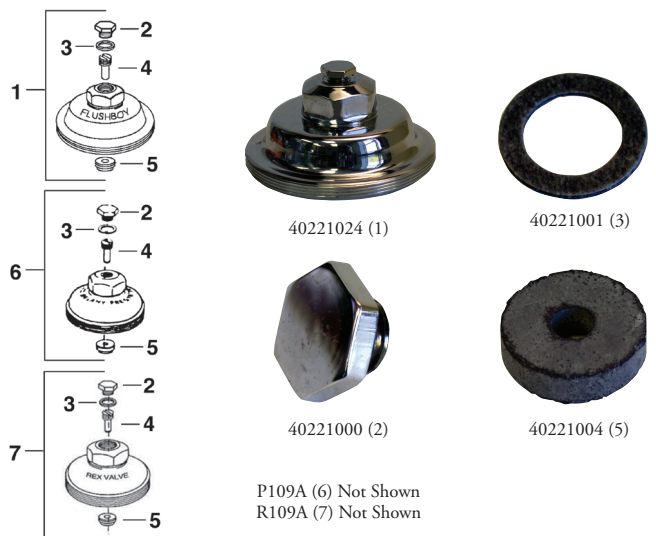
REX FLUSH VALVE

Item	Part #	OEM#	Description
1		R109	Cover
1A		R109A	Cover assembly
2	40221000	R3	Cover screw
3	40221001	R2	Washer for cover screw
4	NLA	R4	Regulating screw (must use cover assembly 1A)
5	40221004	R28G	Packing for cover
6	40221236	R107AC	Diaphragm operating assembly (1" or larger)
		R107-3AC	Diaphragm operating assembly (3.5 GPF)
		R107-1.6AC	Diaphragm operating assembly (1.6 GPF)
7	40221308	R114	Auxiliary valve
8	40221006	R16	Diaphragm bushing, plastic
	40221315		Diaphragm bushing, brass
9	40221007	R8	Auxiliary valve seat
10	40221233	R104	Auxiliary valve seat holder
11	40221258	R107C	Closet kit, leather (includes #9)
12	40221234	R103C	Seat guide, 1" supply
13		R109SC	Non-adjustable cover
14	40221240	R107U	Urinal kit, leather (includes #9)
15	40221235	R103U	Seat guide, 3/4" supply
16	40221237	R107AU	Diaphragm operating assembly (3/4" or smaller)
		R107-1AU	Diaphragm operating assembly (1.0 GPF)
17	40221247	R13	Main valve seat
18	NLA	R36	Handle Available in kit Part # 40221082
19	NLA	R224	Handle nut
20	40221102	R186	Operating stem (1-13/16" for non-hold open)
21	40221014	R223-2	Operating stem (1-7/8")
22		R223-3	Operating stem (replaces R223-2 on earlier models)
23	40221089	R222-3	Flexer
24		BIC222	Brass insert converter
25	40221287	83	Seat bumper
26		81	Bumper holder
27	40221043	69	Protecting cap
28		R4000-AR-1	KwikFit valve body only
29	40950069		O-ring
30	40221018		Clamping ring
31	40221019		Clamping nut (available only in kit # 40221015)
32	40221020		Union tailpiece
33	40221021		Union nut (available only in kit # 40221015)
34	40221022	R333A	Rubber flex handle assembly
35	40221015	64A	Kwikfit tailpiece assembly
not shown		R180	Auxiliary valve (non-hold open)



COMMON COVER REPAIR PARTS

for Delany Rex, Flushboy and Presto Valves



TOTAL MAINTENANCE SOLUTIONS
FLUSH VALVES
 FLUSH VALVE REPAIR PARTS



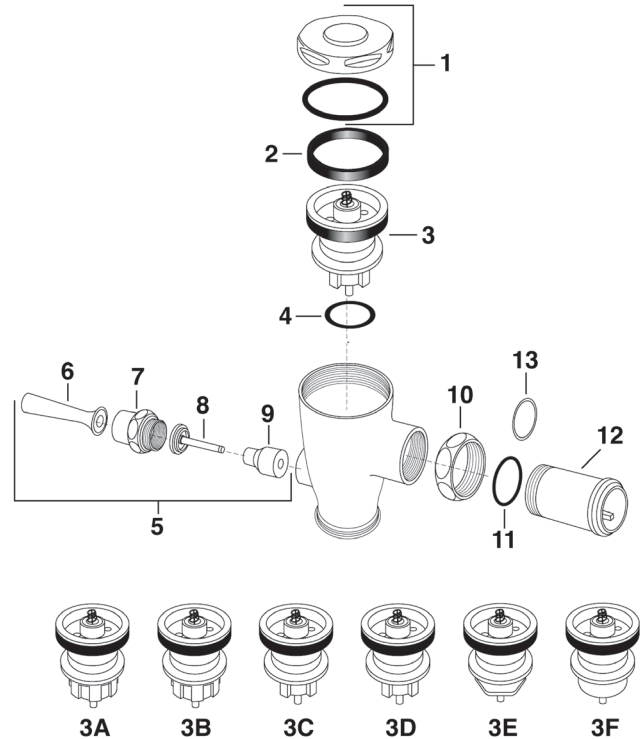
DELANY MANUAL

EMPIRE RENEWAL PARTS

Item	Part #	Description
1	E125A	Cover assembly
2	E253	Piston cup washer
3		See below
4	40221410	Seat guide washer
5		Handle assembly
6		Metal handle grip
7	40221013	Handle nut
8	40221014	Operating stem
9	40221089	Rubber flexer
10	133	Union nut
11	E134	O-ring for union tailpiece
12	E135	Slip connection union tailpiece

PISTON KIT ASSEMBLIES

Item	Part #	Description
3A	40221412	Closet assembly 1.6 GPF
3B	E1002A-1.28	Closet assembly 1.28 GPF
3C	E1006-A-1.1	Closet assembly 1.1 GPF
3D	40221411	Urinal assembly 1.0 GPF
3E	E1004A-0.5	Urinal assembly .5 GPF
3F	E1005A-0.125	Urinal assembly .125 GPF



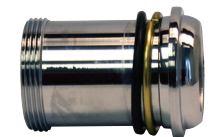
SPUD COUPLING & TAILPIECE PARTS



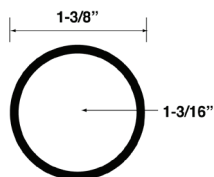
40221015



40221018



40221020



40950069

Part #	OEM#	Description
40221015	64A	Kwikfit Tailpiece Assembly
40221021	58	Union nut*
40221020	64	2" Union tailpiece*
92231005	64-1	3" Union tailpiece
	64-2	4" Union tailpiece
	64-3	5" Union tailpiece
40950069	65	O-ring*
40221018	66	Clamping ring*
40221242	381A	1-1/4" Spud nut w/ washer
40221179	386A	1-1/2" Spud nut w/ washer
40221243	302-1	3/4" Spud flange
40221302	306	1-1/2" Spud flange
40221245	307-1	1-1/4" Spud flange
40220002	375A-K	3/4" Spud flange w/ nut
40220003	381A-K	1-1/4" Spud flange w/ nut
40220004	386A-K	1-1/2" Spud flange w/ nut

* Does not fit the piston model of Empire



40221302



40221179, 40221242



40220002



40220003, 40220004



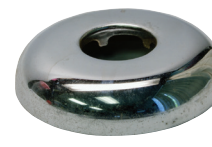
40221019 and 40221021
NLA. Must order 40221015



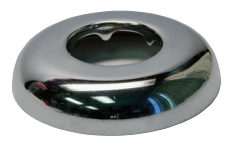
40221245, 40221301, and
40221243 NLA
Must order 40220002,
40220003 or 40220004 –
with nut

WALL FLANGES

Part #	OEM #	Description
92237503	300-1	1/2" Wall flange (1/2" IPS)
92237502	301-1	3/4" Wall flange (3/4" IPS)
92237506	303-1	1" Wall flange (1" IPS)



92237503



92237506



TOTAL MAINTENANCE SOLUTIONS

FLUSH VALVES

FLUSH VALVE REPAIR PARTS

DELANY SENSOR

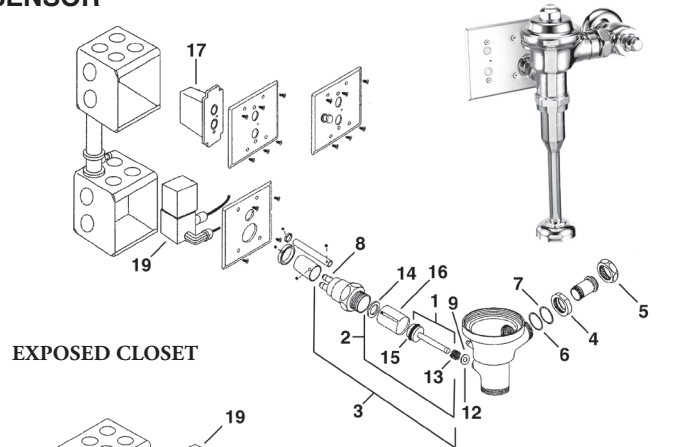
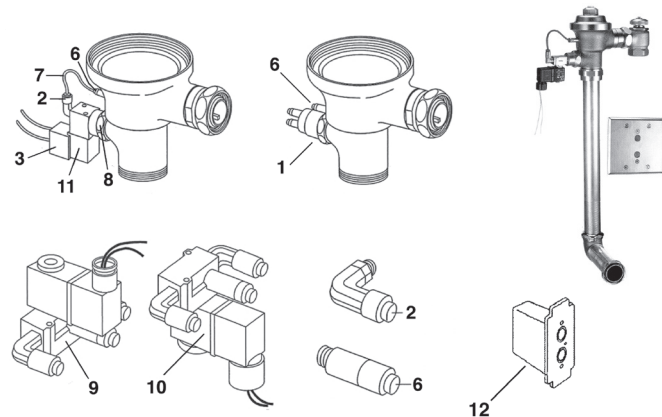
SENSOR FLUSH – EXPOSED

Item	Part #	Description
1	40221180	Piston operating stem assembly
2	40221266	Piston internal operating assembly
3	40221186	Piston valve assembly
4	NLA	Clamping nut
5	NLA	Union nut
6	40950070	O-ring
7	40221018	Clamping ring
4-7	40221015	Kwikfit tailpiece assembly
8	40221275	Straight release fitting (with black collar)
	40221276	Straight release fitting (with red collar)
9	40221329	Handle pad washer
10	40221122	Nylon tubing (blue in color) (not shown)
11	40221123	Nylon tubing (red in color) (not shown)
12	40221329	Handle pad washer
13	40221154	Spring (for piston operating stem)
14	40221327	Piston bore washer
15	40221328	Cup washer (for piston operating stem)
16	40221152	Piston sleeve
17	40221336	Sensor for closet
18	40221091	Sensor for urinal
19	40221110	Solenoid

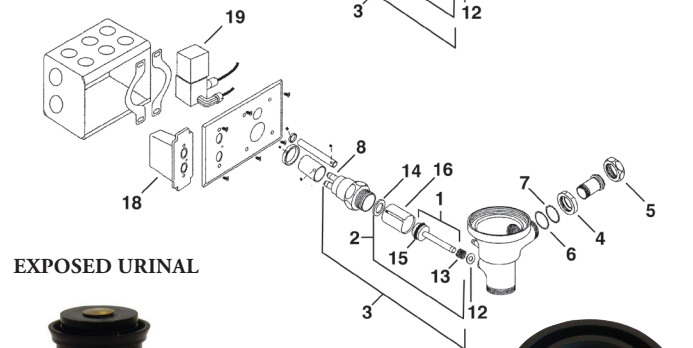
SENSOR FLUSH – CONCEALED

Item	Part #	Description
1		Piston valve body (includes 2 black straight release fittings)
2	40221108	Elbow release fitting black
	40221109	Elbow release fitting red
3		Conduit hub connector
4		KwikFit valve body assembly (for use without access panel)
5		KwikFit valve body assembly (for use with access panel)
6	40221276	Straight release fitting (with red collar)
	40221275	Straight release fitting (with black collar)
7	40221123	Nylon tubing (red)
	40221122	Nylon tubing (blue)
8		Piston valve body
9	40221110	Solenoid valve for exposed flush valve – 110 volt*
10		Solenoid valve for concealed flush valve (with access panel)
11	40221375	Solenoid valve for concealed valve – 110 volt*
12	40221091	Sensor for urinal valve – 110 volt*
	40221336	Sensor for closet valve – 110 volt*

* available in 24 volt



EXPOSED CLOSET



EXPOSED URINAL



TOTAL MAINTENANCE SOLUTIONS
FLUSH VALVES
 FLUSH VALVE REPAIR PARTS



DELANY SENSOR



IMPULSE RETRO-FIT KITS
 For Sloan Royal and Regal Flushometers

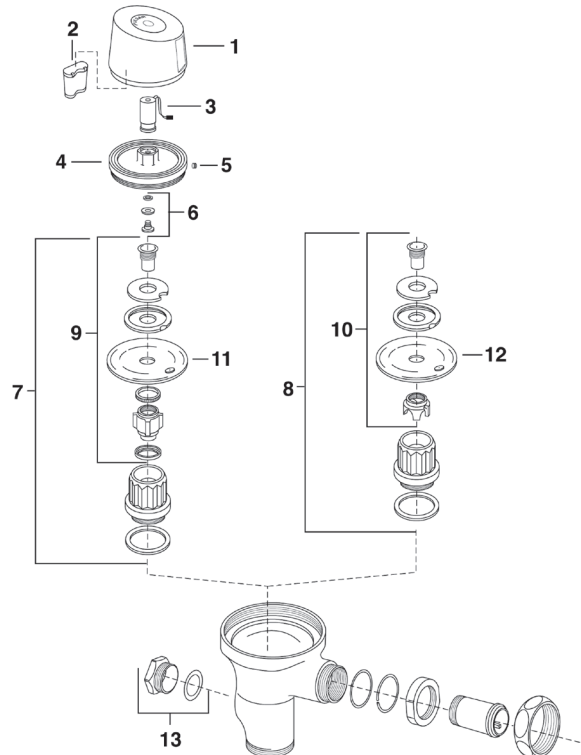
Item	Part #	Description
1		Chrome cover assembly
2		Electronic housing with battery
3	40221174	Solenoid valve
4		Allen set screw
5		Chrome cover
6		Low-pressure flow ring
7	92231895	Cup washer assembly
8		Cup washer spacer
9	NLA	Cup washer
10		Cup washer retainer
Not shown		Battery cover plate screw
11	40221006	Diaphragm bushing (Delany units only)
	92231802	Diaphragm bushing (Sloan units only)
12		Blank handle cap
13		Handle washer
Not shown	40221175	6 Volt lithium "2CR5" battery

Available only with
 Part # 92231895



PULSAR RENEWAL PARTS

Item	Part #	Description
1	PL3015A	Electronic housing head w/ battery and override button
2	40221175	6 Volt lithium "2CR5" battery for Impulse and Pulsar
3	40221174	Solenoid valve for Impulse and Pulsar
4	3018A	Chrome cover assembly with cover set screw and washer
5	340	Allen set screw for cover of Impulse and Pulsar
6	92231895	Cup washer assembly for Impulse
7	40221420	Diaphragm operating assembly 1.6 GPF
8	40221421	Diaphragm operating assembly 1.0 GPF
9	40221422	Diaphragm operating assembly (less seat) 1.6 GPF
10	40221423	Diaphragm operating assembly (less seat) 1.0 GPF
11	40221066	Diaphragm with auxiliary valve seat 1.6 GPF
12	40221027	Diaphragm with auxiliary valve seat 1.0 GPF
13	3014A	Blank handle cap and washer





TOTAL MAINTENANCE SOLUTIONS

FLUSH VALVES

FLUSH VALVE REPAIR PARTS

DELANY HYDRAULIC (HYDRO-FLUSH)

HYDRO-FLUSH ACTUATOR – PARTIAL ASSEMBLIES

Item	Part #	Description
1	40221259	3" Oscillating disc assembly
2	40221260	Actuator assembly (for 1/2" push-button)
2A	40221261	Actuator assembly (for 3" disc)
3	40221262	Internal actuator assembly
4	40221263	Complete actuator assembly (for 1/2" push-button) with nylon tubing
		Complete actuator assembly (with 124 sink flange) with nylon tubing
4C	40221264	Complete actuator assembly (for 3" disc) with nylon tubing

HYDRO-FLUSH PISTON ASSEMBLY – PARTIAL ASSEMBLIES

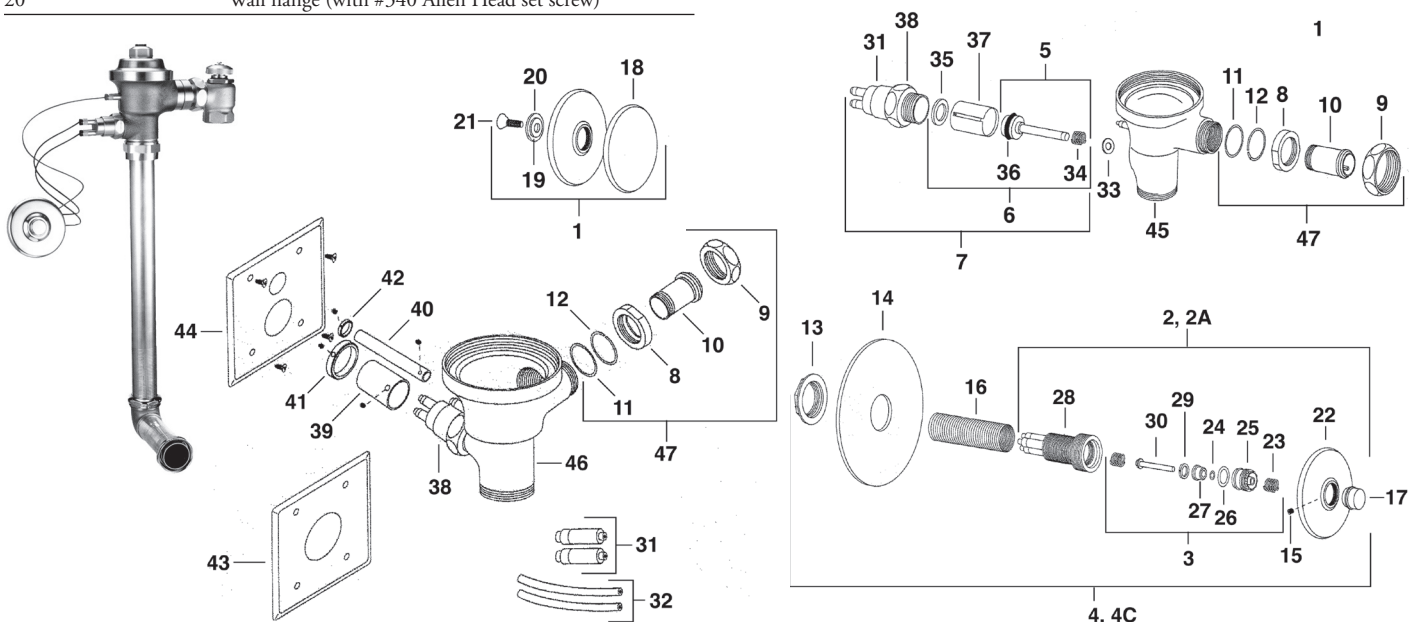
Item	Part #	Description
5	40221265	Piston-operating stem assembly
6	40221266	Piston internal-operating assembly
7	40221186	Piston valve assembly
8	NLA	Clamping nut (available only in kit # 40221015)
9	NLA	Union nut (available only in kit # 40221015)
10	40221020	KwikFit union tailpiece 2" overall length
	92231005	KwikFit union tailpiece 3" overall length
		KwikFit union tailpiece 4" overall length
		KwikFit union tailpiece 5" overall length
11	40950070	O-ring

INDIVIDUAL PARTS LISTING

12	40221018	Clamping ring
13	NLA	Locknut (available only in # 4 or #4C)
14	NLA	Bearing plate (available only in # 4 or #4C)
15	NLA	Set screw (order Delany # 3018A)
16	40221310	Wall sleeve (for use with Hydro-flush Valve) specify length
17	NLA	1/2" Push-button (available only in kit # 40221263 or kit # 40221260)
18		3" Oscillating disc
19		Retainer for disc
20		Wall flange (with #340 Allen Head set screw)

INDIVIDUAL PARTS LISTING (CONTINUED)

Item	Part #	Description
21	40221268	Holding screw for disc
22		Wall flange with set screw
23	40221269	Spring (for push-button)
24	40221270	O-ring for spindle
25		Spindle guide
26	40221271	Spindle O-ring guide
27	40221272	O-ring holder
28	40221273	Actuator body
29	40221274	Spindle seat washer
30	40221319	Spindle
31	40221275	Straight release fitting (with black collar)
	40221276	Straight release fitting (with red collar)
32	40221122	Nylon tubing (blue)
	40221123	Nylon tubing (red)
33	40221329	Handle pad washer
34	40221154	Spring for piston-operating stem
35	40221327	Piston bore washer
36	40221328	Cup washer for piston-operating stem
37	40221152	Piston sleeve
38	40221326	Piston valve body (includes 2 straight release fittings)
39		Cover tube with set screw (for piston valve body)
40		Cover tube with set screw (for release fitting)
41		Wall flange with set screw (for piston valve body cover tube)
42		Wall flange with set screw (for release fitting cover tube)
43		Actuator button wall plate
44		Wall plate
45	F4600A-AR-HF	KwikFit valve body only
46	F500A-AR-HF	KwikFit valve body only
	F4600-ARA-HF	KwikFit valve body assembly (not shown)
	F500A-ARA-HF	KwikFit valve body assembly (not shown)
47	40221015	KwikFit tailpiece assembly



TOTAL MAINTENANCE SOLUTIONS
FLUSH VALVES
 FLUSH VALVE REPAIR PARTS



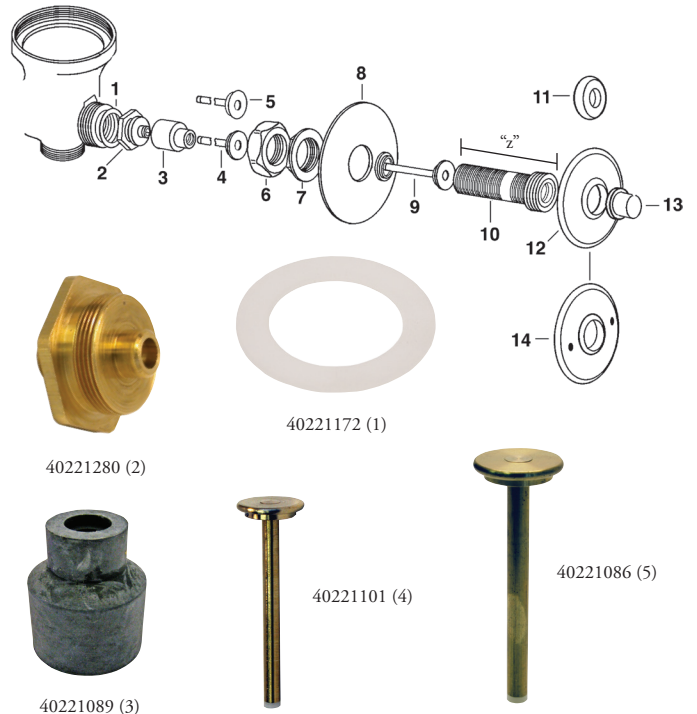
DELANY HYDRAULIC (HYDRO-FLUSH)

HYDRO-FLUSH ACTUATOR ASSEMBLY AND PISTON ASSEMBLY PHOTO DIRECTORY



CONCEALED VALVE HANDLE PARTS

Item	Part #	Description
1	40221172	Washer
2	40221280	Wall sleeve bushing
3	40221089	Flexer
4	40221101	Operating stem 3-1/32" long
5	40221086	Operating stem 2-29/32" long, use with non-hold open feature
6	40221281	Coupling nut
7	NLA	Locknut
8	NLA	Bearing plate
9		Wall sleeve spacer (specify "Y" in inches)
10		Wall sleeve (specify "Z" in inches)
	92237205	Wall sleeve (for use w/ 1/2" push-button - specify "Z")
11		Sink flange (for use w/ 1/2" button only)
12	40221283	Wall flange (for use with 1/2" button only)
13	NLA	1/2" Push-button, use w/ concealed valves only (Can only be ordered as part of handle assembly)
14		Wall flange (use w/ access panel)





TOTAL MAINTENANCE SOLUTIONS

FLUSH VALVES

FLUSH VALVE REPAIR PARTS

DELANY BEDPAN DIVERTER

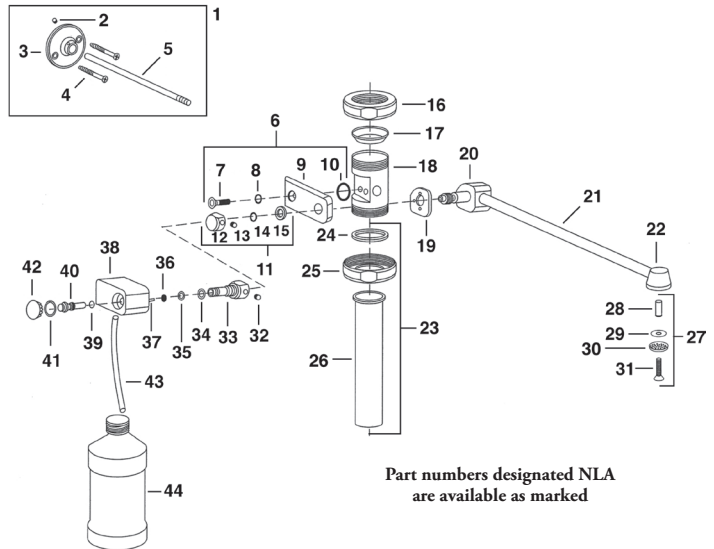
BEDPAN DIVERTER

Item	Part #	OEM #	Description
	40221211	776A	Diverter body assembly (includes 6, 18 and 19)
	40221104	755A	Diverter arm spray assembly (includes 11, 27, 19-22)
	92239906	795A	Deoseptic bottle block assembly diverter (includes 32-44)
1		770A	Wall support assembly
2		773	Wall plate set screw
3	40221206	771	Wall support wall plate
4		775	Wall plate screw
5	NLA	770	Wall support rod
6		758A	Diverter side plate assembly
7	NLA	766	Side plate screw
8	NLA	767	O-ring for side plate screw
9		758	Diverter side plate
10	40221204	768	O-ring for side plate
11		761A	Blank spindle nut assembly
12		761	Blank spindle nut
13	40221198	759	Set screw for spindle nut
14	40950044	765	O-ring for spindle
15	40221199	760P	Spindle nut washer, plastic
16	92239960	796	Diverter coupling nut
17	40950004	387P	Plastic washer
18		776	Diverter body
19	40221181	757	Shear plate washer
20		777-1	Diverter arm pivot block
21		755	Diverter arm spray tube
22		754	Diverter arm spray
23		799A	Diverter lower flush connection assembly
24		238	Coupling washer
25	92239960	796	Diverter coupling nut
26	92239966	799	1-1/2" x 7-3/4" tailpiece
27	40221193	750A	Diverter spray head assembly
28	NLA	753	Spray head spacer
29		752	Spray head screen

Available in #1 only

Available in #6 only

Available in #27 only



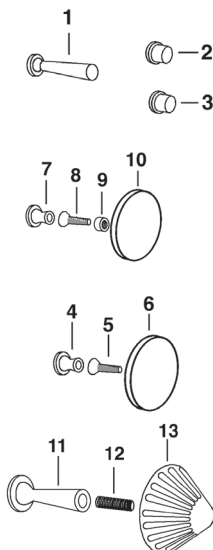
Part numbers designated NLA are available as marked

Item	Part #	OEM #	Description
30	NLA	750	Spray head disc
31	NLA	751	Spray head screw
32	NLA	759	Set screw for spindle nut
33	NLA	778	Deoseptic spindle nut (includes 32)
34	NLA	782	O-ring- Deoseptic spindle nut
35	NLA	787	O-ring -Deoseptic spindle nut
36	NLA	785	Check valve ball
37		781	Bottle block roll pin
38		795	Deoseptic bottle block
39	NLA	788	O-ring for regulating screw
40		780	Deoseptic regulating screw
41	NLA	789	Snap ring
42		790	Deoseptic bottle cap
43		794	Deoseptic bottle tube
44		792	Deoseptic bottle

ACTUATORS FOR FLUSHBOY VALVE

For use with both concealed and exposed valves, except as noted.

Item	Part #	Description
1	NLA*	Handle
2		1/2" Push-button (exposed valves)
3	NLA*	1/2" Push-button (concealed valves)
4		Holder for disc
5		Holder screw for disc
6		3" Oscillating disc
7		Holder for disc
8		Holder screw for disc
9		Retaining ring for holding screw
10		3" Oscillating disc, for use with access panel
11		Holder for foot pedal
12		Stud for foot pedal
13		Foot pedal

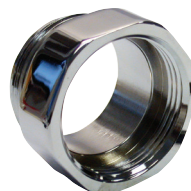


* Can only be ordered as handle assembly

GROUND JOINT ADAPTER

Adapts ground joint stops to valves with adjusting tailpieces.

Part # 40221183



COMPLETE VACUUM BREAKERS

Part #	Description
40221345	3/4" x 9"
40221346	1-1/4" x 9"
40221347	1-1/4" x 22-1/2"
40221348	1-1/2" x 9"
40221349	1-1/2" x 12"
40221350	1-1/2" x 22-1/2"

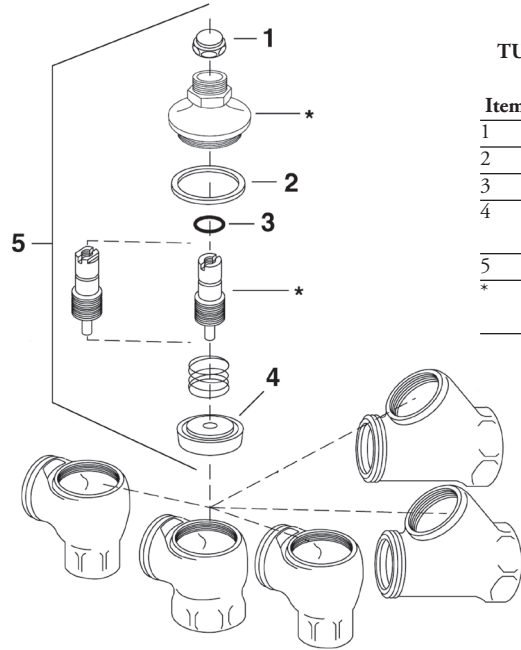


FLUSH VALVES

FLUSH VALVE REPAIR PARTS



DELANY CONTROL STOPS AND PARTS – DISCONTINUED

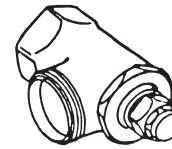


CONTROL STOP PARTS TURN-TO-SILENCE OR STRAIGHT STOPS FOR GROUND JOINT

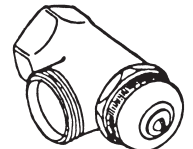
Item	Part #	OEM #	Description
1	40221043	69	Protecting cap
2	40221046	60	Bonnet washer
3	40950021	49R	Shut-off stem o-ring
4	40221049	23-5A	Rubber shut-off washer assembly
5	40221095	45-5A-J	Stop Bonnet assy
*			Available only in an assembly



COMPLETE CONTROL STOPS

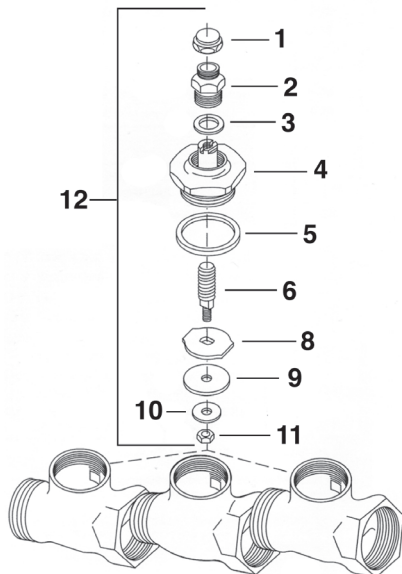


SCREWDRIVER
OPERATED



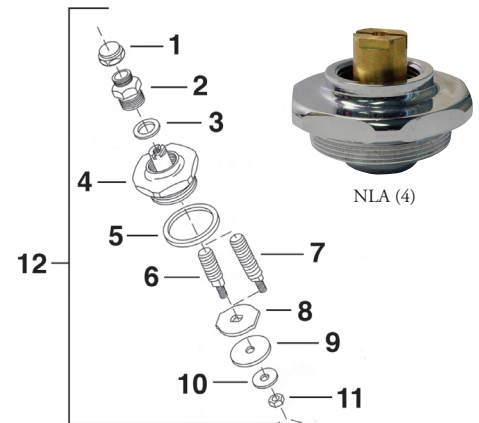
WHEEL HANDLE
OPERATED

Part #	Description
40221093	3/4" Angle stop, SD
40221094	1" Turn-to-Silence angle stop, SD
40221356	1" Wheel handle angle stop



CONTROL STOP PARTS ANGLE OR STRAIGHT STOPS

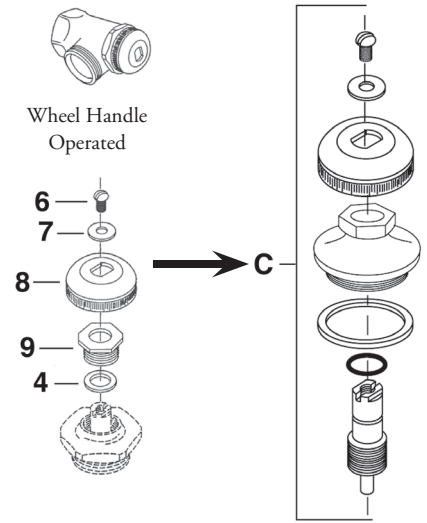
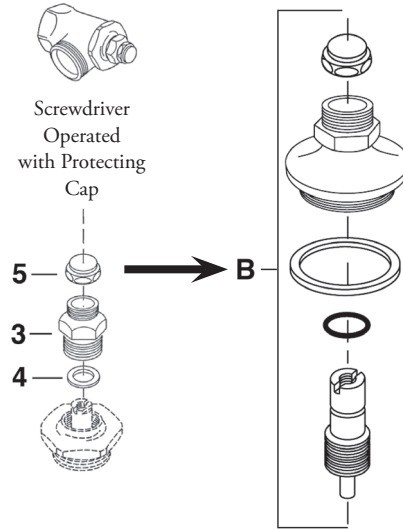
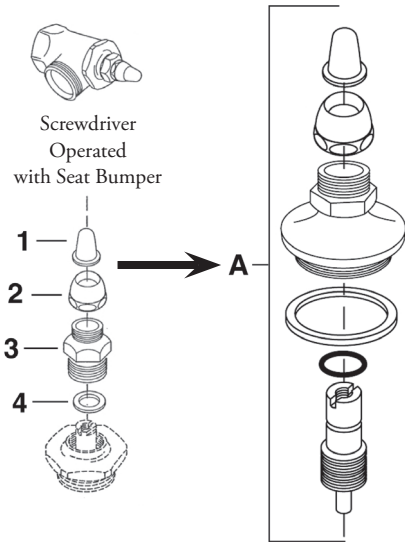
Item	Part#	Description
1	40221043	Protecting cap
2	NLA	Packing nut
3	40221044	Packing for shut-off stem
4	NLA	Bonnet with female shut-off stem
5	NLA	Bonnet washer (omitted in later production)
6	NLA	Male shut-off stem 1-1/4", for angle stops
7	NLA	Male shut-off stem 1-1/2", for straight stops
8	NLA	Guide
9	40221286	Seat washer
10	NLA	Washer for shut-off stem nut
11	NLA	Nut for shut-off stem
12	40221095	Complete stop parts kit





TOTAL MAINTENANCE SOLUTIONS
FLUSH VALVES
 FLUSH VALVE REPAIR PARTS

DELANY CONTROL STOPS AND PARTS – DISCONTINUED
 OPERATING MECHANISM VARIATIONS

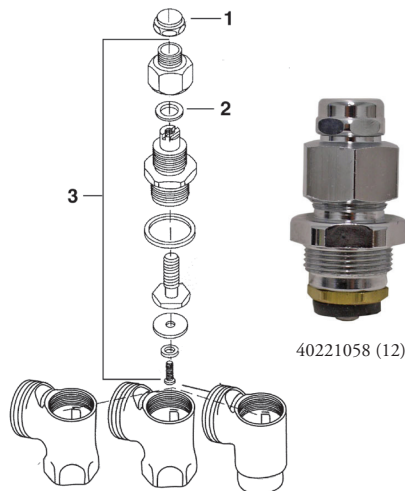


Item	Part #	Description
1	40221287	Seat bumper
2	40221288	Bumper holder
3	40221051	Packing
4	40221044	Packing nut for shut-off stem

Item	Part #	Description
5	40221043	Protecting cap
6	40221289	Screw for wheel handle
7	40221290	Washer for wheel handle
8	40221291	Wheel handle
9	NLA	Packing nut

COMPLETE ASSEMBLIES

Item	Part #	Description
A		Complete assembly "A"
B	40221095	Complete assembly "B"
C		Complete assembly "C"



CONTROL STOP PARTS

(Obsolete) – for 3/4" & 1/2" angle stops

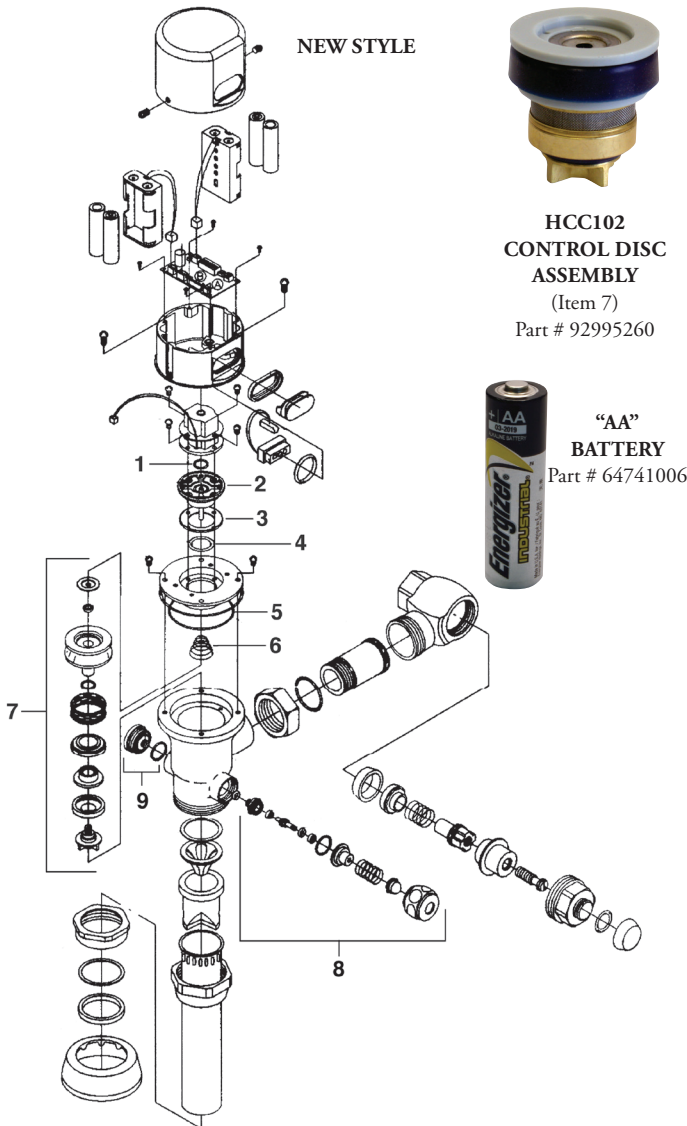
Item	Part#	Description
1	40221043	Protecting cap
2	NLA	Packing for shut-off stem
3	40221058	Complete unit

FLUSH VALVES

FLUSH VALVE REPAIR PARTS



HYDROTEK/MOEN MODEL 8000 FLUSH VALVE (NEW STYLE) REPAIR KITS – AC AND DC



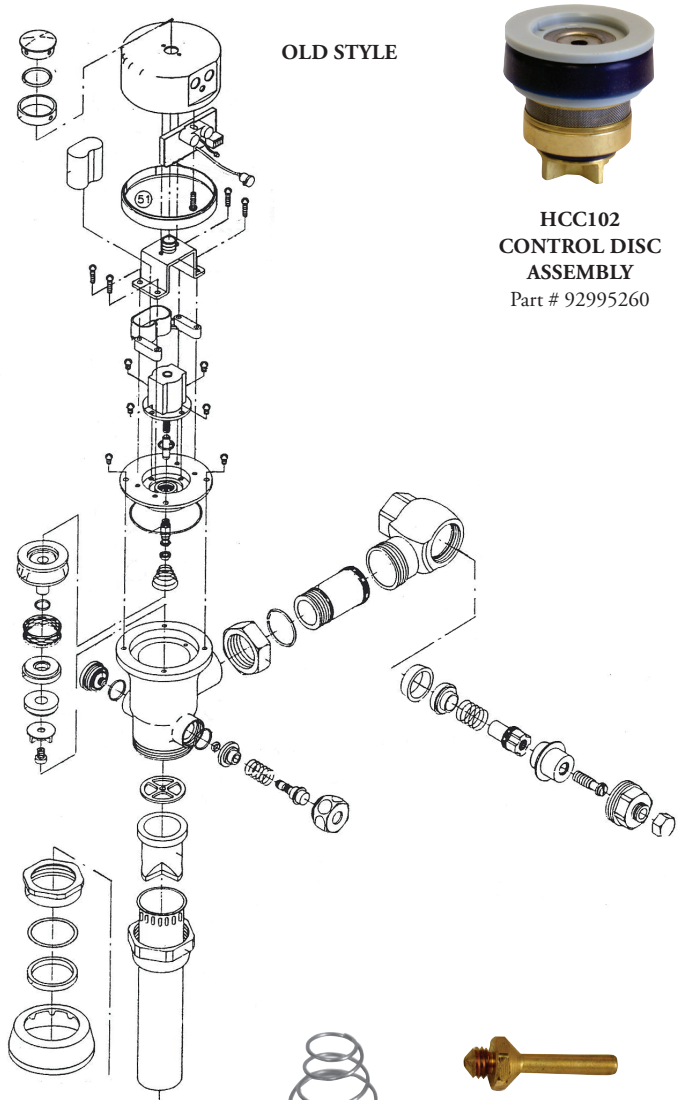
NEW STYLE



**HCC102
CONTROL DISC
ASSEMBLY**
(Item 7)
Part # 92995260



“AA”
BATTERY
Part # 64741006



OLD STYLE



**HCC102
CONTROL DISC
ASSEMBLY**
Part # 92995260



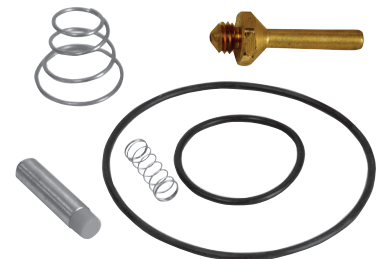
**HCB106 SOLENOID REPAIR KIT (NEW
STYLE)**
(Items 1-6)
Part # 40200100



BACK NUT (9)
Part # 92994020



**MANUAL
OVERRIDE
BUTTON (8)**
Part # 92991089



**HCI06 SOLENOID
REPAIR KIT**
Part # 40200101

OLD STYLE control disc has an orange seal. NLA.
Use new style with blue seal.

To convert old style to new style use this kit with
Blue Control Disc
Part # 92995260



TOTAL MAINTENANCE SOLUTIONS

FLUSH VALVES

FLUSH VALVE REPAIR PARTS

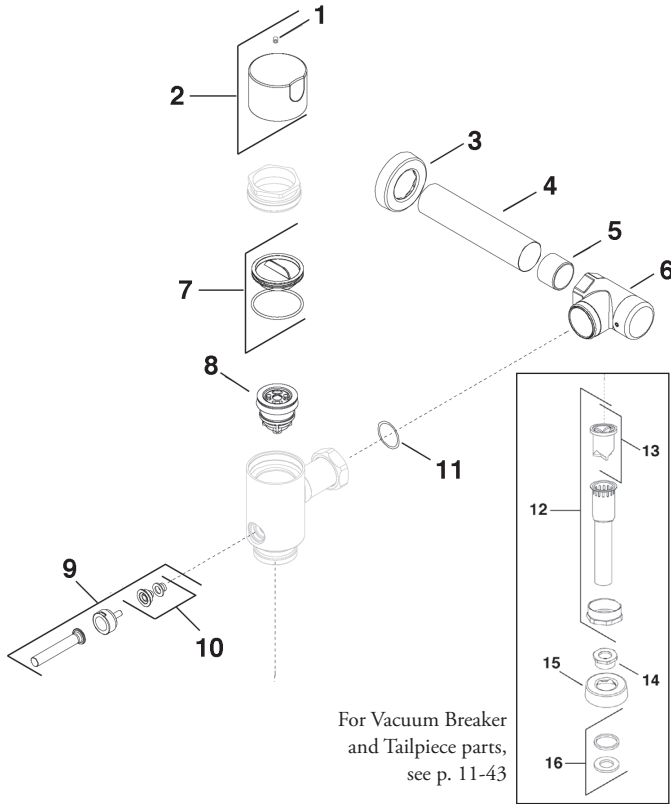
KOHLER MANUAL

MODEL 13518, 13519 AND 13522
MANUAL FLUSH VALVE

Washdown, Siphon Jet or Blowout

Item	Part #	Description
1		Cover kit
2		Screw
3		Wall escutcheon
4		Sleeve
5		Adapter, 3/4" NPT x 1-1/8"
6		Stop valve
7		Piston cover kit
8	40241743	Piston assembly, .5 GPF
	40242000	Piston assembly, 1.0 GPF
	40247029	Piston assembly 1.28 GPF
	40247032	Piston assembly 1.6 GPF
9	40242003	Handle assembly
10	40242001	Handle seal kit
11		O-ring
12	*	Vacuum breaker assembly
13	*	Vacuum breaker
14	*	Spud coupling nut
15	*	Escutcheon
16	*	Spud Seal kit

*For Vacuum breaker and Tailpiece parts, see p. 11-43



40242000 (8)



40242001 (10)

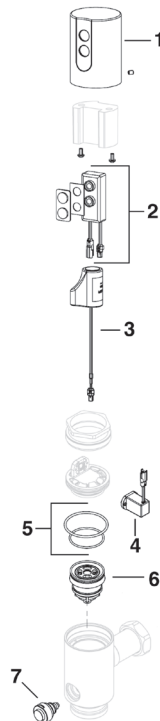


40242003 (9)

KOHLER SENSOR

TRIPOINT EXPOSED HYBRID 1.28 GPF
FLUSH VALVE

Item #	Part #	Description
1	90200265	Cover kit 1.6 GPF
	40141500	Cover kit 1.28 GPF
	90203648	Cover kit .5 GPF
	90203649	Cover kit .0125 GPF
	90203647	Cover kit, 1.0 GPF
2	40240270	Sensor assembly 1.6 GPF
	40243622	Sensor assembly 1.28 GPF
	40243624	Sensor assembly .5 GPF
	90203625	Sensor assembly 1.25 GPF
	40243653	Sensor assembly 1.0 GPF
3	90203202	Battery, potted HEC
4	40240500	Solenoid kit
5		O-rings for piston cover
6	40241752	Piston for urinal
	40247032	Piston for toilet
7	40240268	Push-button assembly



90203202 (3)



40247032, 40241752 (6)



40240500 (4)

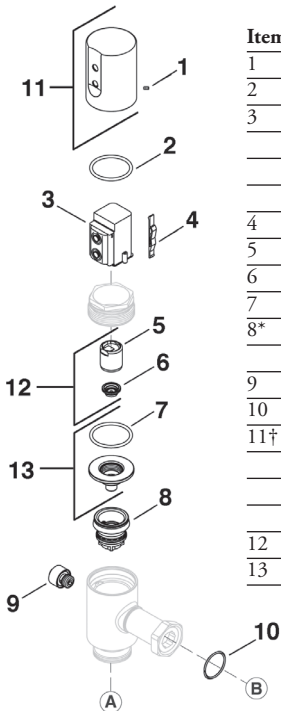
FLUSH VALVES

FLUSH VALVE REPAIR PARTS



KOHLER SENSOR

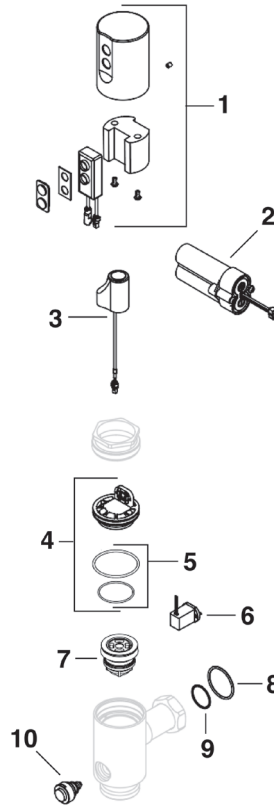
TRIPOINT TOUCHLESS DC TOILET FLUSH VALVE, ORIGINAL VERSION



Item	Part #	Description
1		Set screw
2		O-ring
3	90205219	Electronic unit assy, 1.6 GPF
	90205222	Electronic unit assy, .5 GPF
	90205221	Electronic unit assy, 1.0 GPF
	90205226	Electronic unit assy, 1.28 GPF
4		Sensor clip
5		Solenoid
6		Diaphragm
7		O-ring
8*	40246875	.5 Piston
	48000325	1.0, 1.28 and 1.6 Piston
9	90205650	Push-button
10		O-ring
11†	40242002	.5 GPF cover kit
	90204988	1.0 GPF cover kit
	90205655	1.28 GPF cover kit
	90204990	1.6 GPF cover kit
12	40242004	Solenoid kit
13	48000445	Piston cover kit

*Note 1: Sensor unit and piston determine GPF. The .5 GPF piston needs to be paired with the .5 GPF sensor.

†Note 2: Check back of cover to find the GPF engraved in it. All of the covers are the same size, but to avoid confusion about the GPF, use the correct cover.



TRIPOINT TOUCHLESS DC TOILET FLUSH VALVE, UPDATED VERSION

Item #	Part #	Description
1	90207546	Cover assembly, 0.125 GPF
	90207537	Cover assembly, 0.5 GPF
	90207539	Cover assembly, 1.0 GPF
	90207531	Cover assembly, 1.28 GPF
	90207535	Cover assembly, 1.6 GPF
2	NLA	Battery case w/o batteries Replace with # 90203202
3	90203202	Battery, potted HEC
4		Flush valve service kit (urinal) Flush valve service kit (closet)
5		Piston cover o-rings
6	40240500	Solenoid assembly
7	40241752	Piston assembly (urinal)
	40247032	Piston assembly (closet)
8		Lock ring
9		O-ring
10	90202680	Push-button assembly

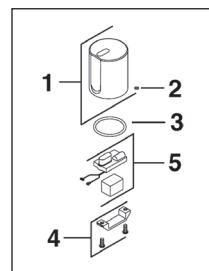
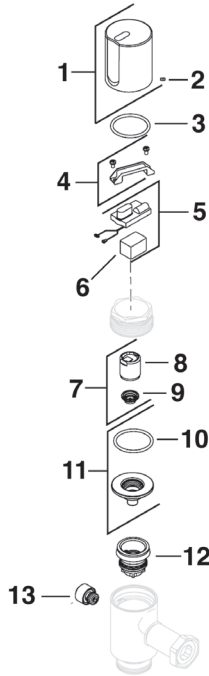


TOTAL MAINTENANCE SOLUTIONS FLUSH VALVES KOHLER

KOHLER SENSOR

WAVE TOUCHLESS TOILET FLUSH VALVE, ORIGINAL VERSION

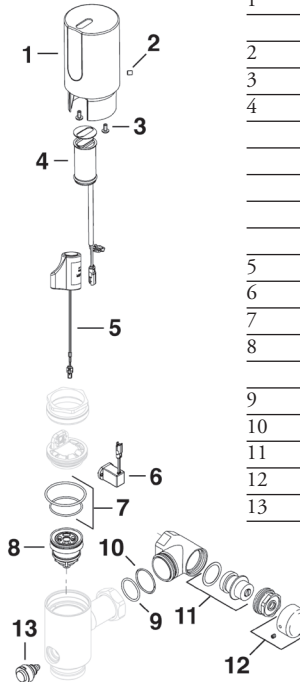
Item	Part #	Description
1	90200339	Cover kit 1.6 GPF WR (Wave Retrofit) (K-10677)
	NLA	Cover kit 1.6 GPF (K-10674)
	90200343	Cover kit 1.28 GPF (K-10673)
2	40245627	Setscrew
3		O-ring
4		Sensor strap
5	48000305	Electronic assembly unit 1.28 GPF
	40246025	Electronic assembly unit 1.6 GPF
	40248239	Electronic assembly unit 1.0 GPF
	40248240	Electronic assembly unit .5 GPF
6	40243051	Battery holder
7	48000324	Solenoid kit
8	48000323	Solenoid assembly
9	1055637	Diaphragm assembly
10	1059461	O-ring
11	48000445	Piston cover kit
12	48000325	Piston 1.6 GPF
	48000326	Piston 1.0 GPF urinal
	40246875	Piston .5 GPF urinal
13	90201152	Push-button assembly



1.0 GPF and .5 GPF Models

WAVE TOUCHLESS HYBRID TOILET FLUSH VALVE, UPDATED VERSION

Item	Part #	Description
1	40141160	Cover kit .125 GPF
	40141165	Cover kit 1.28 GPF
2	40263626	Screw
3		Screw
4	40141170	Wave sensor assembly .125
	40141175	Wave sensor assembly .5
	40141180	Wave sensor assembly 1.0
	40141185	Wave sensor assembly 1.28
	40141190	Wave sensor assembly 1.6
	40141205	Wave sensor assembly 3.5
5	90203202	Battery, potted HEC
6	40240500	Solenoid kit
7		Piston cover O-rings
8	40241752	Piston (urinal)
	40247032	Piston (toilet)
9	40950069	O-ring
10		Lock ring
11	90209878	Stop valve repair kit
12	90209879	Stop valve cover kit
13	90201158	Push-button assembly



For Vacuum Breaker and
Tailpiece parts, see page 11-45
Other cover kits are Available



48000324 (7)



48000325 (12)



48000445 (11)



48000326 (12)



90201152 (13)



90203202 (5)



40240500 (6)



40247032, 40241752 (8)

FLUSH VALVES

FLUSH VALVE REPAIR PARTS



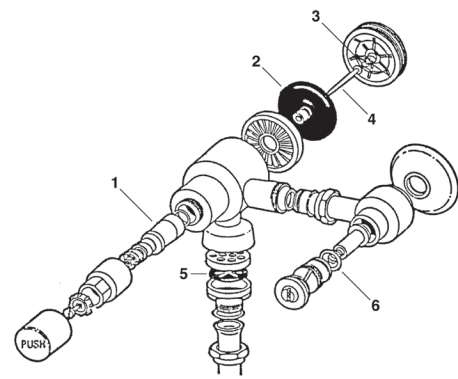
MANSFIELD

TORPEDO FLUSHOMETER VALVE

Valve No Longer Available

Item	Part #	Description
1	40201015	Flush timer - 3/4 gal.
	91610041	Flush timer - 1-1/2 gal.
2	*	Diaphragm assembly
3	*	Control pin spring
4	*	Control pin
5	*	Vacuum breaker diaphragm
6	*	Flow control O-ring
	91610042	Service parts kit

* Items included in service parts kit only



40201015 (1)



91610042 (2-4)



Old Style Flush Valve Cartridge
40201016

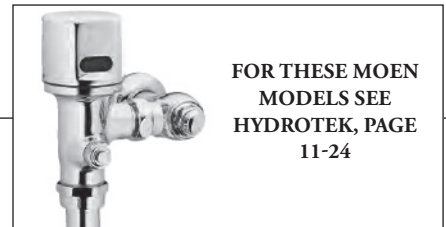
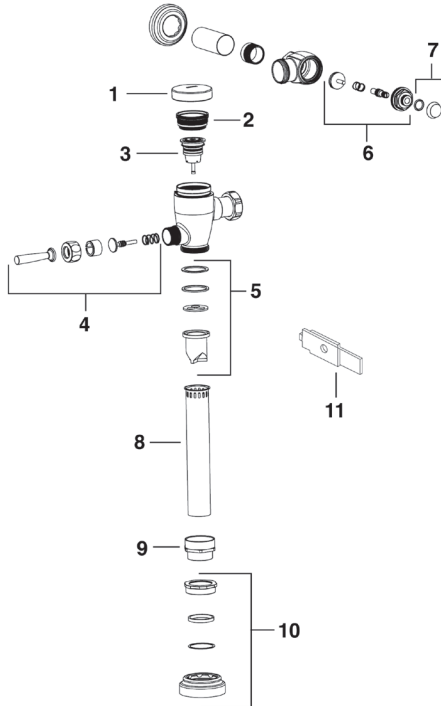


URINAL STANDPIPE
1/2"
Part # 40100218

MOEN MANUAL

M-DURA CHROME MANUAL FLUSH VALVE

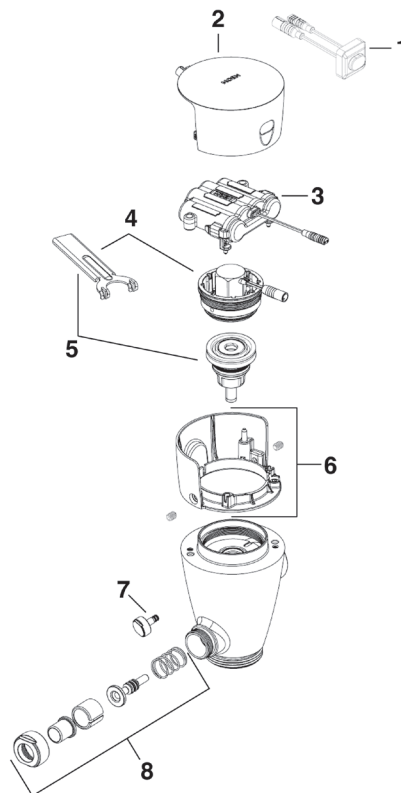
Item	Part #	Description
1		Cap assembly, 3.5 GPF
		Cap assembly, 1.6 GPF
		Cap assembly, 1.28 GPF
		Cap assembly, 1.0 GPF
		Cap assembly, .5 GPF
		Cap assembly, .125 GPF
2		Interior piston cap assembly
3		Replacement piston, 3.5 GPF
	90204564	Replacement piston, 1.6 GPF
	90204565	Replacement piston, 1.28 GPF
	90204566	Replacement piston, 1.0 GPF
	90204567	Replacement piston, .5 GPF
	90204568	Replacement piston, .125 GPF
4	90204569	Handle assembly
5	40201005	Vacuum breaker assembly
6	90204557	Angle stop repair kit
7	90204572	Angle stop cap replacement
8	See page 11-45	Flush valve tube
9		Flush valve body nut
10		Top spud assembly 1-1/2"
		Top spud assembly 1-1/4"
		Top spud assembly 3/4"



FOR THESE MOEN MODELS SEE HYDROTEK, PAGE 11-24

M-POWER SENSOR FLUSH VALVES

Item	Part #	Description
1	90204636	Sensor & bracket .5 GPF
	90204637	Sensor & bracket 1.0 GPF
	90204639	Sensor & bracket 1.28 GPF
	90204640	Sensor & bracket 1.6 GPF
2		Front shroud, specify GPF
3		Battery Pack Replacement
4	90204633	Solenoid & manifold assembly
5	90204628	Piston assembly kit
6		Rear Shroud, specify DC or AC
7		Manual override button Cap
8		Override button assembly



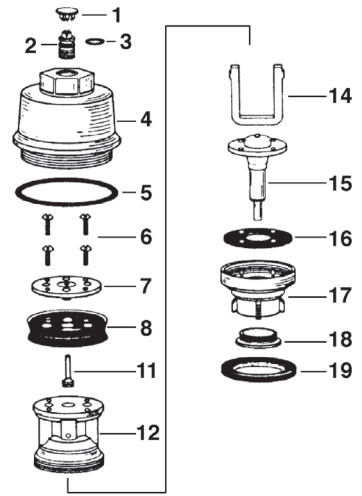
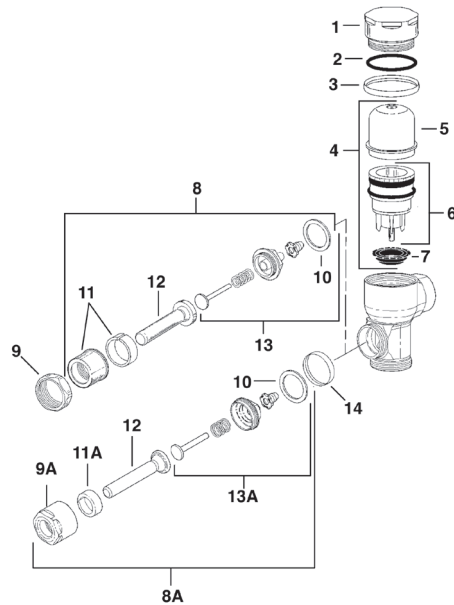


TOTAL MAINTENANCE SOLUTIONS FLUSH VALVES FLUSH VALVE REPAIR PARTS

SLOAN MANUAL

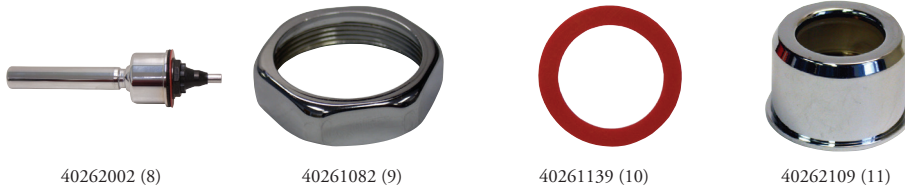
CROWN AND CROWN II (OBSOLETE)

Item	Part #	Description
1		CP Cover
2		Cover O-ring
3		Cover trim ring
4	40261406	Piston kit (1.6 GPF)
	40261407	Piston kit (1.28 GPF)
	40261408	Piston kit (1.0 GPF)
	40261409	Piston kit (.5 GPF)
5	40261395	Inside cover subassembly
6		Piston (see chart below)
7	40261399	Main seat and O-ring
8	40262002	ADA handle assembly for Crown
8A		ADA-compliant handle assembly for Crown II
9	40261082	CP handle coupling
9A		Handle socket (Crown II)
10	40261139	Handle gasket (ea)
11	40262109	CP socket assembly
12		ADA-compliant handle grip sub-assembly
13	40261011	Handle repair kit
14		Handle trim ring (for Crown II)



CROWN PISTON INSIDE PARTS

Item	Part #	Description
1	40268880	Cover button
2	40268881	Crown regulating screw
3		CR-70 O-ring
4		CR-74 Cover
5	40268882	Cover gasket
6	40268883	Top plate screws
7	40268884	Crown top plate
8	40268885	Crown molded cup
11	91782016	Xpelor
12	40268886	CR-60 Piston body
14	NLA	Safety bar
15	40268888	Crown relief valve
16	40268889	Relief valve seat
17		Closet/urinal guide
18		Restriction ring
19	40268890	Closet main seat
	40268891	Urinal main seat



PISTON IDENTIFICATION TABLE

Piston Color Cap Color Stem Grooves	Water Closet		Urinal	
	CR-1004-A	CR-1011-A	CR-1005-A	CR-1006-A
	Part # 40261406	Part # 40261407	Part # 40261408	Part # 40261409
	1.6 GPF	1.28 GPF	1.0 GPF	.5 GPF
Cap Color	Green	Deep Purple	Yellow	Red
Piston Color	Green	Green	Clear	Clear
Barrel	Large Ribs	Large Ribs	Small Ribs	Small Ribs
Seat Color	Green	Green	Black	Black
Stem Grooves	2	0	1	3

Part #	Description
40261397	1.0 GPF Yellow
40261398	.5 GPF Red



40268880 (1)



40268884 (7)



40268888 (15)



40268890 (19)

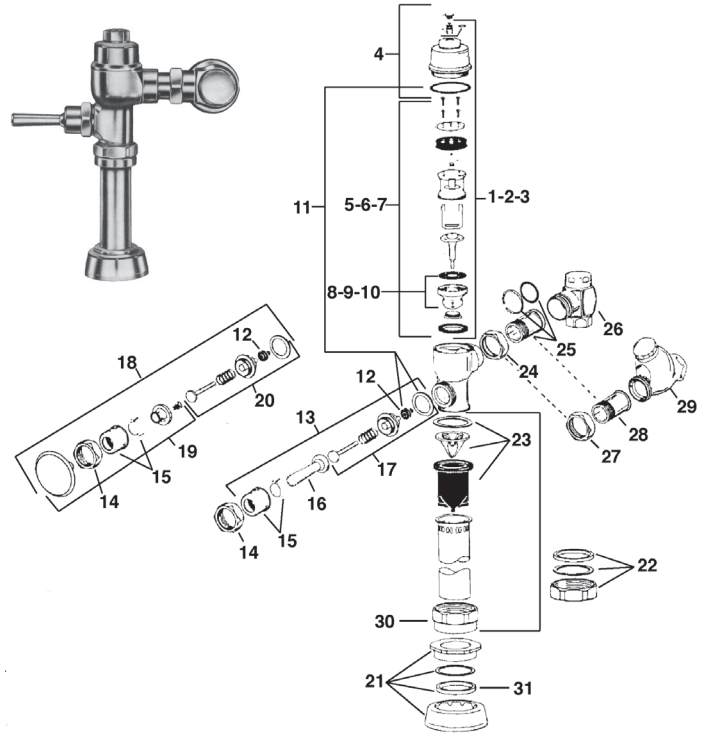
TOTAL MAINTENANCE SOLUTIONS
FLUSH VALVES
 FLUSH VALVE REPAIR PARTS



SLOAN MANUAL

CROWN (PISTON TYPE) FLUSH VALVE

Item	Part #	Description
1	40268866	Urinal inside parts kit
2	40268866	Closet inside parts kit
3	40268867	Shower valve inside parts kit (hot water)
4	40268868	CR-74-A CP cover assembly
5	40261163	S-60-AU Urinal piston assembly
6	40260019	K-60-A Closet piston assembly
7	40268869	S-60-AG Shower piston assembly
8	0301185	K-123-A Closet guide
9	40268871	S-43-A Urinal guide
10	40268872	S-43-A Shower guide
11	40268873	Crown/Naval closet washer set
12	40262297	Handle seal
13	40262279	Handle assembly
14	40261082	Handle coupling
15	40262109	CP Socket
16	40262274	CP Grip
17	40262305	Handle repair kit
18	40268874	3" CP push-button assembly
19	40268875	3" CP push-button replacement kit
20	40263396	3" CP push-button repair kit
21	40261125	3/4" CP Spud coupling assembly
	40261053	1" CP Spud coupling assembly
	40266140	1-1/4" CP Spud coupling assembly
	40266146	1-1/2" CP Spud coupling assembly
22	40268876	3/4" CP Outlet coupling assembly
	40268877	1" CP Outlet coupling assembly
	91787002	1-1/4" CP Outlet coupling
	40268879	1-1/2" CP Outlet coupling
23	40201005	Vacuum breaker repair kit
24	40268676	CP Stop coupling
25	91006012	CP adjustable tailpiece 2-1/16" long
26	40268029	1" SD Bak-Chek CP control stop
	40268025	3/4" SD Bak-Chek CP control stop
27	40261003	CP Stop coupling GJ
28	40261004	CP Ground joint tailpiece 1-3/4" long
29	40261005	1" SD Bak-Chek CP stop, ground joint
30	40221125	Cowl nut
31	40261059	3/4" Slip joint washer
	40950107	1-1/4" Slip joint washer
	40950008	1-1/2" Slip joint washer



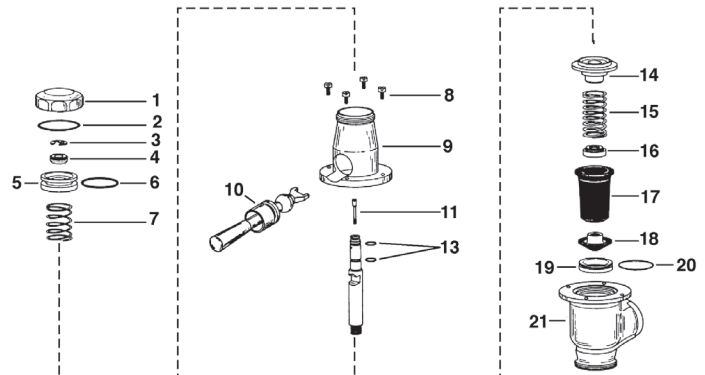
40261163, 40260019 and
40268869 (5, 6, 7)

DOLPHIN FLUSH VALVE

Item	Description	Item	Description	Item	Description
1	NP cover nut	7	Piston spring	12	RB stem
2	O-ring	8	CP cover screw	13	O-ring
3	Retaining ring		(4 required)		(2 required)
4	Stem nut	9	NP upper body	14	RB bushing
5	Piston with O-ring	10	NP handle & socket	15	Compression spring
6	O-ring	11	Regulating screw	16	RB insert
				17-18	Flex-sac assembly
				19-20	Seat assembly
				21	NP lower body

REPAIR KITS

Part #	Description
40268912	Dolphin repair kit. Contains items 2, 6, 13, 17 & 18
40268913	Dolphin repair kit. Contains items 2, 6, 7, 13, 15, 17, 18, 19 & 20

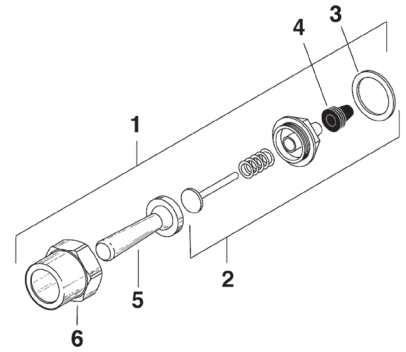
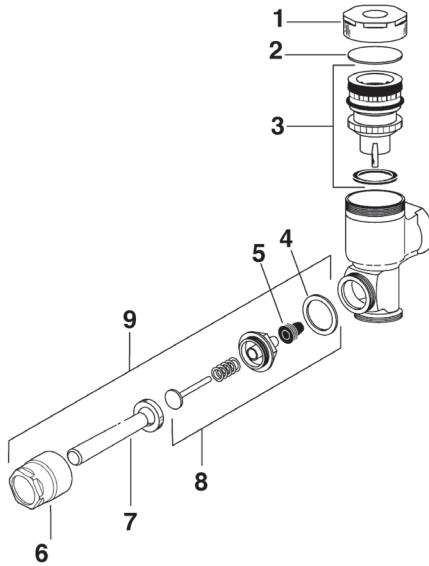




TOTAL MAINTENANCE SOLUTIONS
FLUSH VALVES
 FLUSH VALVE REPAIR PARTS

SLOAN MANUAL

Item	Part #	Description
1		CP Cover
2	91787139	Slip Disc
3	40267135	Piston kit – 1.28 GPF, closet
	91787193	Piston kit – 2.4 GPF, closet
	91787195	Piston kit – 3.5 GPF, closet
	91787192	Piston kit – 1.6 GPF, closet
	91787185	Piston kit – 1.5 GPF, urinal
	40267133	Piston kit – 1.0 GPF, urinal
	40267133	Piston kit – 0.5 GPF, urinal
4	91783515	Handle gasket
5	40262297	Handle seal
6		Handle socket
7		Handle grip
8	40268916	Handle repair kit
9	91787070	Handle assembly



**OLD STYLE HANDLE ASSEMBLY
 FOR GEM 2
 (Pre May, 2003)**

Item	Part #	Description
1	91787070	Handle assembly (GEM 2)
2	40268916	Handle repair kit
3	91783515	Handle gasket
4	40262297	Handle seal
5		Handle grip
6		Handle socket



91787193 (3)



91787195 (3)



40262297 (4)



40268916 (8 NEW STYLE, 2 OLD STYLE)



91787070 (9 NEW STYLE, 1 OLD STYLE)

COMMON REPAIR PARTS FOR GEM 2 – NEW STYLE AND OLD STYLE

PISTON IDENTIFICATION TABLE

Piston Cover Color	Water Closet			Urinal		
	G-1007-A	G-1016-A	G-1022-A	G-1009-A	G-1017-A	G-1018-A
Part #	91787193	91787195	40267135	91789172	91787185	40267133
	3.5 GPF	1.6 GPF	1.28 GPF	1.5 GPF	1.0 GPF	.5 GPF
Cover Color	White	Green	Deep Purple	Black	Yellow	Red
Piston Color	Gray	Black	Black	Black	Black	Black
Barrel	Slotted	Slotted	Slotted	Solid	Solid	Solid
Grooves	2	2*	0	2	1	3

*Prior to February 2006 – 1 Groove

TOTAL MAINTENANCE SOLUTIONS
FLUSH VALVES
 FLUSH VALVE REPAIR PARTS

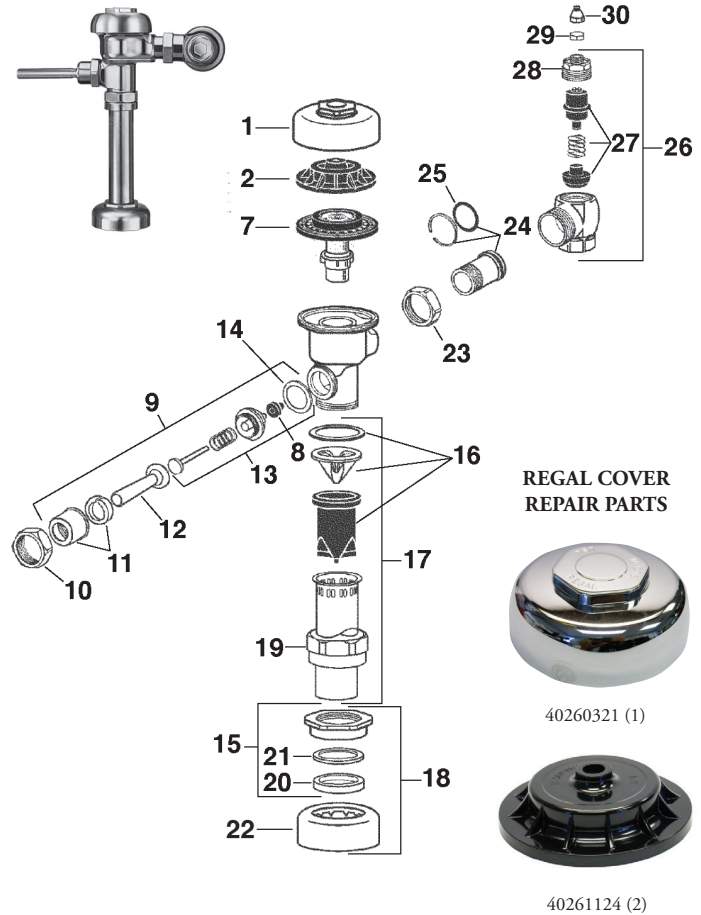


SLOAN MANUAL

REGAL (DIAPHRAGM TYPE) FLUSH VALVE

Item	Part #	Description
1	40260321	CP Cover
2	40261124	Inside cover (New Style)
	40261075	Inside cover (Old Style)
3		Relief valve (see next page)
4		Disc (see next page)
5		Diaphragm (see next page)
6		Guide assembly (see next page)
7		Inside parts kit (see next page)
8		Seal
9	40262279	CP Handle assembly
	40262002	CP Handicap handle assembly
	40261391	CP Handicap handle assembly with Saniguard antimicrobial coating
	40260212	Uppercut handle
10	40261082	CP Handle coupling
11	40262109	CP Socket assembly
12	40262274	CP Handle grip
		CP Handicap handle grip
13	40262305	Handle repair kit
14	40261139	Handle gasket
15	40261054	3/4" F-20-A Spud coupling
	40261055	1-1/4" F-20-A Spud coupling
	40261056	1-1/2" F-20-A Spud coupling
16	40201005	Vacuum breaker repair kit
	40263183	New Style VB repair kit
17		3/4" x 9" VB tailpiece
		3/4" x 15" VB tailpiece
		3/4" x 24" VB tailpiece
		1-1/4" x 9" VB tailpiece
		1-1/4" x 13-1/2" VB tailpiece
		1-1/4" x 21-1/2" VB tailpiece
		1-1/4" x 24" VB tailpiece
		1-1/2" x 9" VB tailpiece
		1-1/2" x 13-1/2" VB tailpiece
		1-1/2" x 21-1/2" VB tailpiece
		1-1/2" x 24" VB tailpiece
18	40266125	3/4" CP Spud coupling assembly
	40266140	1-1/4" CP Spud coupling assembly
	40266146	1-1/2" CP Spud coupling assembly
19	40261049	CP V-553-A Coupling
20	40261059	3/4" Slip joint gasket
	40261128	1-1/4" Slip joint gasket
	40261140	1-1/2" Slip joint gasket
21	40261057	3/4" Friction ring
	40261058	1-1/4" Friction ring
	40261009	1-1/2" Friction ring
22	40261061	3/4" F7 Spud flange
	40261062	1-1/4" F7 Spud flange
	40261063	1-1/2" F7 Spud flange
23	40268676	CP Stop coupling
24	40268801	CP Adjustable tailpiece, 2-1/16"
25	40950069	O-ring

SEE
PAGE
11-45



REGAL COVER REPAIR PARTS



40260321 (1)



40261124 (2)

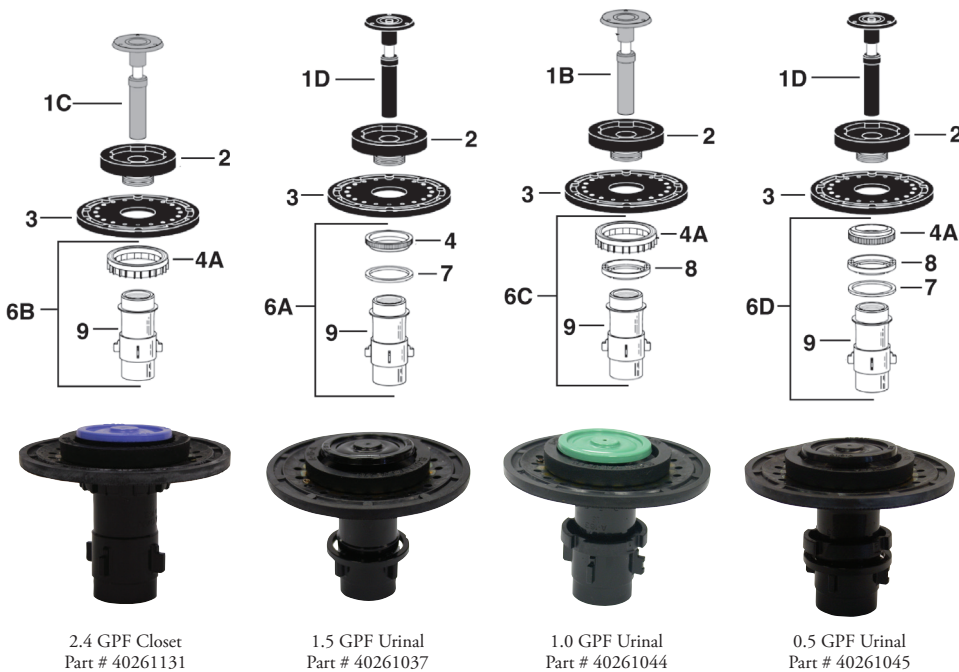
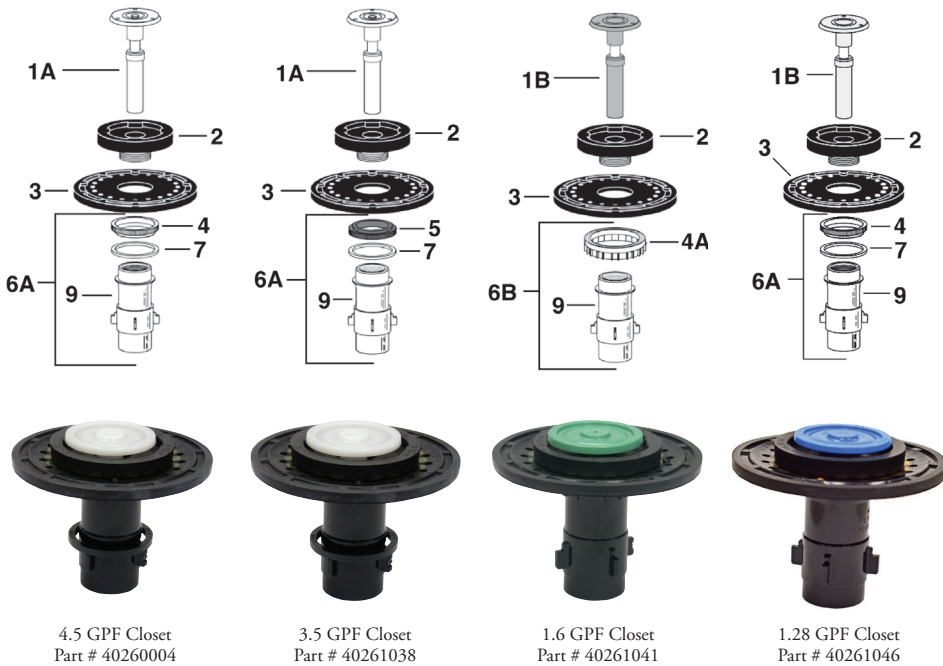
Item	Part #	Description
26	40268029	1" Screwdriver Bak Chek' stop CP – OBSOLETE
	40261111	1" Screwdriver Bak Chek' stop CP – complete, V/R
	NLA	3/4" Screwdriver Bak Chek' stop CP – OBSOLETE
	40261110	3/4" Screwdriver Bak Chek' stop CP – complete
27	40201009	1" Control stop repair kit
	40261085	3/4" Control stop repair kit
28		CP Bonnet (For use with 1" and 3/4" H-740-A CP (less cap) and 1" H-540-A CP (With H-37 cap) Bak Chek' screwdriver control stops
		CP Bonnet (For use with 3/4" H-740-A CP Bak Chek' screwdriver control stops)
29	40268156	CP Cap
30	91783635	Bumper assembly

INSIDE PARTS KITS ON FOLLOWING PAGE



TOTAL MAINTENANCE SOLUTIONS FLUSH VALVES FLUSH VALVE REPAIR PARTS

INSIDE PARTS KITS (Item #7 on previous page)



REGAL PERFORMANCE REPAIR PARTS



REGAL REBUILD KITS

(includes individual repair kits and tailpiece O-ring)

Part #	Description
40261170	4.5 GPF, Closet
40261173	3.5 GPF, Closet
40261210	2.4 GPF, Closet
40261174	1.6 GPF Closet
40261171	1.5 GPF Urinal
40261205	1.28 GPF Closet
40261175	1.0 GPF Urinal
40261207	.5 GPF Urinal

VORTEX DIAPHRAGM AND REFILL HEAD



**CLOSET REPAIR DIAPHRAGM AND
REFILL HEAD**
Part # 40261255

**URINAL REPAIR DIAPHRAGM AND
REFILL HEAD**
Part # 40261256

TOTAL MAINTENANCE SOLUTIONS

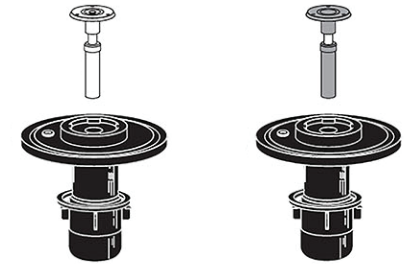
FLUSH VALVES

FLUSH VALVE REPAIR PARTS



SLOAN VORTEX RETRO KITS FOR REGAL AND ROYAL

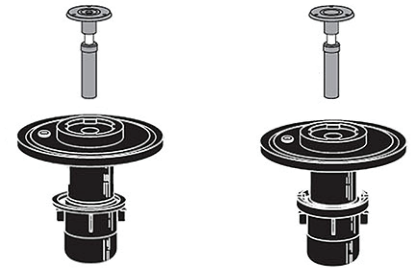
High Chloramine Resistant Synthetic Diaphragm with Linear Filtered Bypass and Vortex Cleaning Action



3.5 GPF Closet
Part # 40260040



1.6 GPF Closet
Part # 40261260



1.28 GPF Closet
Part # 40260042



1.0 GPF Urinal
Part # 40260043



0.5 GPF Urinal
Part # 40260044

INSIDE PARTS COMPONENTS

Item	Part #	Description
1A	40261129	Relief valve, white (closet)
1D	40260415	Relief valve, black (urinal)
1B	40261127	Relief valve, green (closet/urinal)
1C	40260320	Relief valve, blue (closet)
2	40260234	Disc
3	40261161	Diaphragm
4	40261184	A170 Refill head
4A	91781039	A172 Refill head
5	91781027	A170-1 Refill head
6A	40201004	Guide assembly, 4.5 GPF
6B	40268864	Guide assembly, 1.6 GPF
6C	40268865	Guide assembly, 1.0 GPF
6D	40268948	Guide assembly, 0.5 GPF



40260234



40261161



40201004



40268864



40268865



40261129



40260415



40261127



40260320

ROYAL PERFORMANCE REPAIR PARTS



HIGH BACK PRESSURE VACUUM BREAKER REPAIR KIT
Part # 40263183



TRIPLE SEAL HANDLE REPAIR KIT
Part # 40261011



Puts two filters in front of the metering bypass of the diaphragm. These filters effectively keep debris from clogging the flushometer.

FIXED DUAL-FILTERED DIAPHRAGM ASSEMBLY

Part #	Description
40261121	3.5 GPF Closet
3133338	2.4 GPF Closet/Urinal
40261122	1.6 GPF Closet
40261120	1.5 GPF Urinal
40268949	1.28 GPF Closet
40261123	1.0 GPF Urinal
40268938	.5 GPF Urinal
40268943	.25 GPF Urinal
40268940	0.125 GPF, Pint Urinal



ROYAL PERFORMANCE KIT

(includes individual repair kits and tailpiece O-ring)

Part #	Description
40260018	3.5 GPF Closet
3133327	2.4 GPF Closet/Urinal
40262029	1.28 GPF Closet
3133325	1.6 GPF Closet
3133330	1.5 GPF
40262027	1.0 GPF
3133328	.5 GPF
40262028	0.125 GPF, Pint Urinal

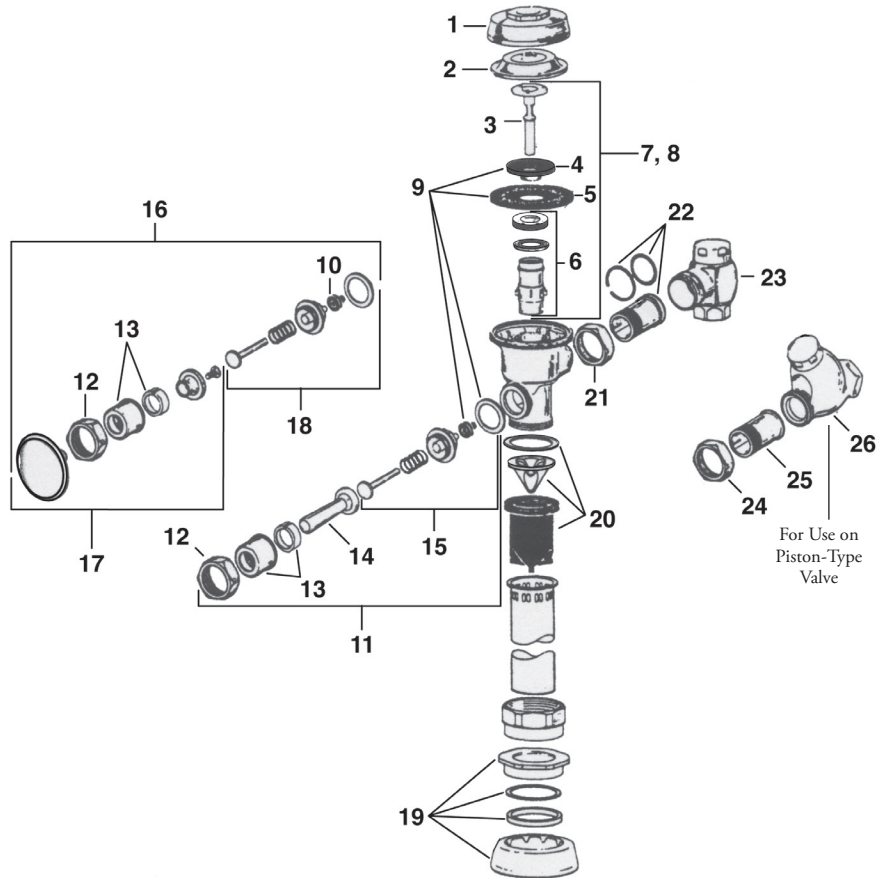


TOTAL MAINTENANCE SOLUTIONS
FLUSH VALVES
 FLUSH VALVE REPAIR PARTS

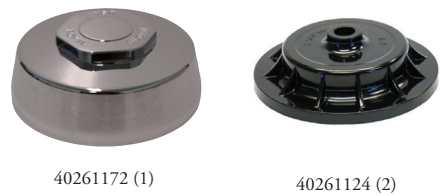
SLOAN MANUAL

**ROYAL (DIAPHRAGM TYPE) FLUSH VALVE
 PRE-1998**

Item	Part #	Description
1	40261172	CP Cover
2	40261124	Inside cover
3	40261129	Closet relief valve
	40260415	Urinal relief valve
4	40260234	Molded disc
5	40261161	Diaphragm
6	40201004	Guide
7	40260004	Inside parts kit for closet, 4.5 GPF
8	40261038	Retro water-saver kit, 3.5 GPF
	40261041	Inside parts kit for closet 1.6 GPF
	40261037	Inside parts kit for urinal 1.5 GPF
	40261044	Inside parts kit for urinal 1.0 GPF
9	40260009	Closet/urinal washer set
10	40262297	Handle seal
11	40262279	CP Handle assembly
12	40261082	CP Handle coupling
13	40262109	CP Handle socket
14	40262274	CP Grip
15	40262305	Handle repair kit
16	40268874	3" CP push-button assembly
17	40268875	3" Push-button replacement kit
18	40263396	3" Push-button repair kit
19	40266125	3/4" CP Spud coupling assembly
	40261053	1" CP Spud coupling assembly
	40266140	1-1/4" CP Spud coupling assembly
	40266146	1-1/2" CP Spud coupling assembly
20	40201005	Vacuum breaker repair kit
21	40268676	CP Stop coupling
22	40268801	CP Adjusting tailpiece, 2-1/16"
23	40261100	3/4" SD Bak-Chek CP control stop
	40261101	1" SD Bak-Chek CP control stop
24	40261003	CP Stop coupling, ground joint
25	40261004	CP Ground joint tailpiece, 1-3/4"
26	40261005	1" SD Bak-Chek ground joint CP control stop



ROYAL COVER REPAIR PARTS



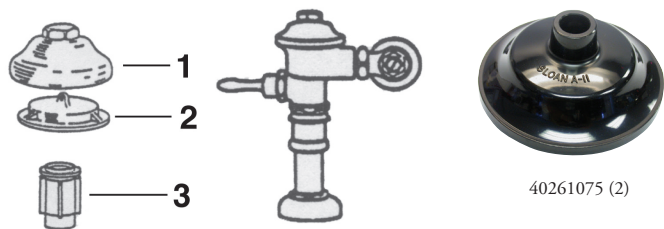
40261172 (1)

40261124 (2)

ROYAL FLUSH VALVE AFTER 1998 ON NEXT PAGE

OLD STYLE ROYAL UNIQUE PARTS

Item	Part #	Description
1	A-4	CP NLA – Use 40261172 and 40261124
2	40261075	Old style inside cover – plastic
3	40201004	Old style brass guide



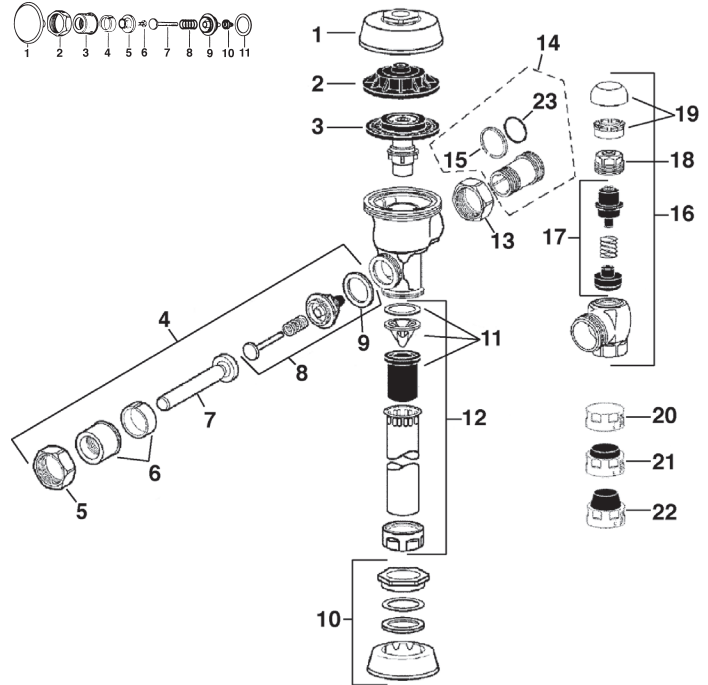
TOTAL MAINTENANCE SOLUTIONS
FLUSH VALVES
 FLUSH VALVE REPAIR PARTS



SLOAN MANUAL

ROYAL (DIAPHRAGM TYPE) FLUSH VALVE

Item	Part #	Description
1	40261172	CP Cover – Royal
2	40261124	Inside cover
3		Dual-filtered diaphragm assembly (see inset)
4	40262002	ADA compliant triple-seal handle assembly
5	40261082	CP Handle coupling
6	40262109	CP Socket assembly
7	40262274	CP ADA-compliant handle
8	40261011	Triple seal handle repair kit
9	40261139	Handle gasket
10	40266125	Spud coupling assembly, 3/4"
	40266140	Spud coupling assembly, 1-1/4"
	40266146	Spud coupling assembly, 1-1/2"
11	40263183	High back pressure vacuum breaker repair kit
12		See page 11-45 for complete listing of sizes
13	40268676	CP Stop coupling
14	40268801	CP Adjustable tailpiece 2-1/16" standard length
15	40268381	Locking ring
16	40261101	1" CP Bak Chek Screwdriver stop
	40261100	3/4" CP Bak Chek Screwdriver stop
17	40201009	Control stop repair kit (1" and 3/4" H-700-A and 1" H-600-A Bak Chek screwdriver control stop)
	40261085	Control stop repair kit (3/4" H-600-A Bak Chek screwdriver control stop)
18		CP Bonnet (1" and 3/4" H-700-A and 1" H-600-A Bak Chek screwdriver control stop)
		CP Bonnet (3/4" H-600-A Bak Chek screwdriver control stop)
19		Vandal-resistant control stop cap assembly (1" and 3/4" H-700-A and 1" H-600-A Bak Chek screwdriver control stop)
		Vandal-resistant control stop cap assembly (3/4" H-600-A Bak Chek screwdriver control stop)
20	40268840	Control stop cap CP (1" and 3/4" H-700-A and 1" H-600-A Bak Chek screwdriver control stop)



Item	Part #	Description
	40268848	Control stop cap CP (3/4" H-600-A Bak Chek screwdriver control stop)
21	40268856	Control stop cap with bumper (1" and 3/4" H-700-A and 1" H-600-A Bak Chek screwdriver control stop)
22		Control stop cap with extended bumper (3/4" H-600-A Bak Chek screwdriver control stop)
23	40950069	O-ring



TOTAL MAINTENANCE SOLUTIONS

FLUSH VALVES

FLUSH VALVE REPAIR PARTS

SLOAN SENSOR

OPTIMA PLUS BY SLOAN



OPTIMA
plus[®]



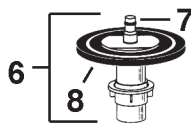
LOOKING FOR VACUUM BREAKER PARTS? SEE PAGE 11-45
LOOKING FOR STOP PARTS? SEE PAGE 11-47

SOLENOID REPAIR PARTS

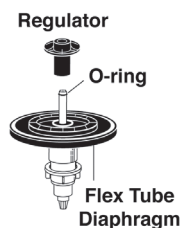
Part #	Description
40261133	Electronic module, 1.6 GPF and 3.5 GPF
40265177	Electronic module, 1.0 GPF and 1.5 GPF
40260016	Inside cover w/solenoid
NLA	Optional beam deflector

INSIDE PARTS KITS

OLD STYLE



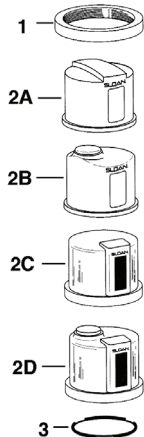
REPLACED BY



40261133

See Page 11-38 and 11-39 for kits

COVER REPAIR PARTS FOR OPTIMA PLUS



Item	Part #	Description
1	40268849	Locking ring
2A	NLA	Plastic cover (urinal)
2B	NLA	Plastic cover w/ override button
2C	40268851	Metal cover (urinal)
2D	40268852	Metal cover w/ override button (closet)
3	40260324	Cover gasket
	40268859	Strap wrench



40268852 (2D)



40260324 (3)

COMMON REPAIR PARTS FOR OPTIMA PLUS AND OPTIMA G2 PLUS



40260016

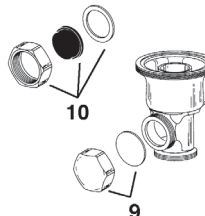


40268849



40268859

VALVE BODY REPAIR PARTS



10

9



METAL HANDLE CAP

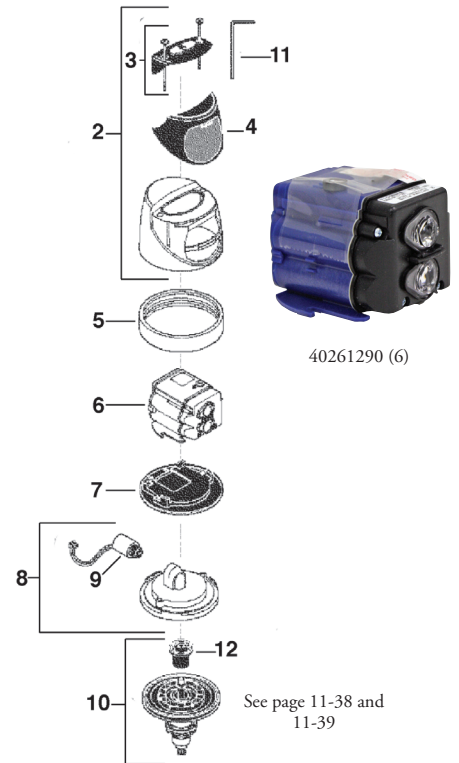
Part # 40268853 (9)



DECORATIVE HANDLE CAP

91788032 (10)

OPTIMA G2 PLUS SENSOR MODULE COMPONENT PARTS



40261290 (6)

See page 11-38 and 11-39

Item	Part #	Description
2	91785168	Cover assembly
3	40268861	Override button assembly (includes screws & hex wrench)
4	40268862	Eye cover plate (EBV-131)
5	40268849	Locking ring
	40265524	Locking ring for Zurn valves
6	40261290	G2 electronic module – water closet
	40265451	G2 electronic module – urinal
7		Cover rest plate
8		Inside cover assembly
9	40261360	Isolated solenoid (for G2 modules only)
10		Flex tube diaphragm kit
11		Hex wrench
12		Regulator (specify color)



40268861 (3)



91785168 (2)

FLUSH VALVES

FLUSH VALVE REPAIR PARTS



SLOAN SENSOR



ECOS® SINGLE-FLUSH AND DUAL-FLUSH FLUSH VALVES

Item	Part #	Description
1		Cover/ring/sensor assembly – dual-flush closet Cover/ring/sensor assembly – closet (specify GPF) Cover/ring/sensor assembly – urinal (specify GPF)
2	40261550 91785168	Cover assembly – dual flush Cover assembly – single flush
3A	40261552 40268867	Button cover assembly with screws (dual flush) Button cover assembly with screws (single flush)
3B		Screws with hex wrench only
4	40268862	Lens window cover
5	40268849	Locking ring Locking ring (for Zurn valves)
6	40265010 40261555 40261290 40265451	Electronic module 1.6/1.1 GPF dual flush Electronic module 1.1 GPF single flush Electronic module 1.6/1.28 GPF single flush Electronic module 0.5 and 1.0 GPF single flush
7	40261557	Cover rest plate
8	40261558	Inside cover assembly (includes solenoid)
9	40261360	Solenoid
10A		Flex tube diaphragm assembly (See page 11-39)
10B	NLA	Cartridge assembly replaced by 40265090
11		Flush volume regulator

SOLIS® SINGLE-FLUSH AND DUAL-FLUSH VALVE

Item	Part #	Description
1		Cover/sensor assembly closet (specify GPF) Cover/sensor assembly urinal (specify GPF) Cover/sensor assembly dual flush
2A	40261560	Cover assembly, dual flush
2B	40261561	Cover assembly, single flush
3	40268849	Locking ring Locking ring (for Zurn valves)
4	40261562 40265313 40262038	Electronic module – water closet Electronic module – urinal Electronic module – dual flush water closet
5	40261557	Cover rest plate
6	40261558	Inside cover assembly (includes solenoid)
7	40261360	Solenoid
8		Flex tube diaphragm assembly (See page 11-39)
9		Flush volume regulator
10	NLA	Cartridge assembly replaced by 40265090



40268862 (4)



40261290 (6)



40261560 (2A)



40261561 (2B)



40261562, 40265313 and 402662038 (4)



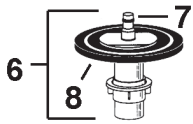
TOTAL MAINTENANCE SOLUTIONS

FLUSH VALVES

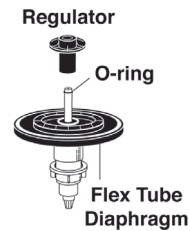
FLUSH VALVE REPAIR PARTS

SLOAN SENSOR

FLEX TUBE DIAPHRAGM KITS



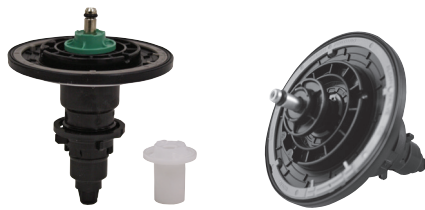
OLD STYLE
REPLACED BY



Regulator
MUST be
installed
past O-ring

INSIDE REPAIR PARTS		
Item	Part #	Description
6*	40265001	Closet inside parts kit, 1.6 GPF and 3.5 GPF
6*	40265000	Urinal inside parts kit, 1.0 GPF and 1.5 GPF
7	40260005	Quad ring
8		Diaphragm

* Replaced by new Flex tube diaphragm inside parts kit



40265001 (6) 40265000 (6)

FLEX TUBE DIAPHRAGM KIT		
Color	Part #	Description
Gray	40265090	Urinal - .25 or 0.125 GPF
Green	40261023	Urinal - .5 GPF
Green	40265000*	Urinal - 1.0 GPF
Black	40265000*	Urinal - 1.5 GPF
White	40265001†	Closet - 4.5 GPF
White	40265001†	Urinal - 3.0 GPF
White	40265001†	Closet - 3.5 GPF
Blue	40265014	Closet - 2.4 GPF
Green	40265001†	Closet - 1.6 GPF
Green	40265031	Closet - 1.28 GPF
	90201028	Closet - 1.1 GPF

Part numbers marked * or † include parts for each size.

NEED A SLOAN KIT CUSTOM-TAILORED TO SUIT YOUR NEEDS? CALL US!



TMS South can help ensure that you have the parts that you need to complete your plumbing repair.

Plumbing Specialty Kits are nothing new to the plumbing trade. Kits have been available for some time for O-rings and general faucet repairs. TMS South has expanded the specialty kit approach to include a wider variety of plumbing repairs and customizes kits to fit our customers' needs.

Kit Contents

Kits can be assembled for flush valves, faucets, washfountains, water coolers or any combination of plumbing items. Some customers want to know what their kit will contain, and while we stock some kits, most kits are customized to fit our customers' requirements. Let our parts experts assist you in identifying the fixtures and valves that you have. Then we will customize your kit to include the most common repair parts you will need to service your valves and faucets. Keep in mind that the reason for the kit is convenience and efficiency for your maintenance personnel. The cost of each kit item is the same as the cost for individual parts purchased separately.

All parts are available in a convenient, easy-to-carry storage box so that maintenance personnel have the part they need when they need it.

Reordering parts is easy with photo identification of the parts on the inside lid.

Parts can be replaced quickly, *before* they are needed.

Contact your local rep or call us toll-free:

800-476-2212 or 800-392-5066

PIPE SUPPORTS & BUMPERS



40261134 40268922 40268921

Part #	Description
40261134	1-1/2" Split ring pipe support CP 5 C/E-complete
50900060	1-1/2" Split ring pipe support CP 6 C/E-complete
91789950	1" Split ring pipe support CP 5 C/E-complete
40268922	3/4" x 3-1/2" Split ring urinal tailpiece support
40268920	1-1/2" Solid ring pipe support CP 5 C/E-complete
40268921	3/4" x 3-1/2" Solid ring urinal tailpiece support



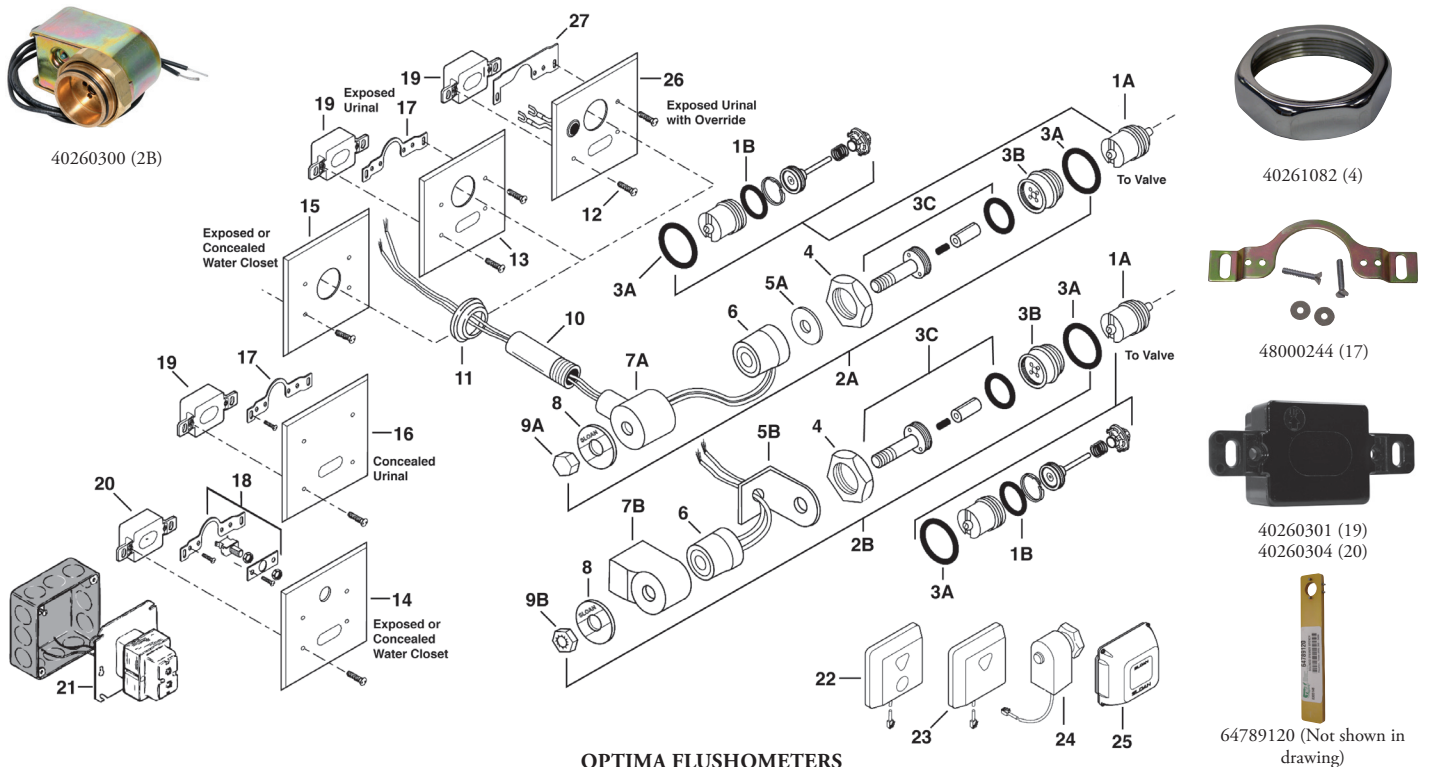
SWEAT SOLDER KITS	
Part #	Description
40268788	3/4" Supply kit (urinals)
40268782	1" Supply kit

FLUSH VALVES

SLOAN VALVE



SLOAN SENSOR

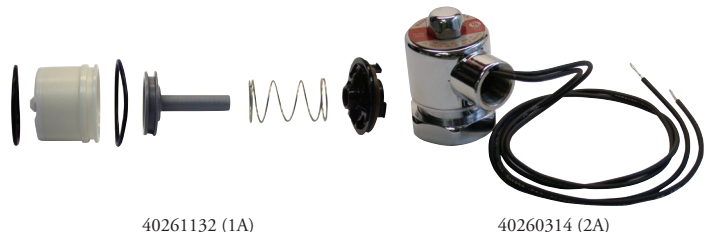


OPTIMA FLUSHOMETERS

Old Royal® until 5/09, current Sloan/Regal®

Item	Part #	Description
1A	40261132	Actuator cartridge assembly repair kit
1B	40261399	O-ring
2A		120V only (no sensor)
		CP Cartridge/solenoid kit EL-124-1 (120V) and EL128-A
	40260314	24 VAC solenoid assembly (exposed installation)
		CP Cartridge/solenoid kit EL-124-2 (24V) and EL128-A
2B		120V only (no sensor)
	40260300	24 VAC Solenoid assembly (concealed installation)
3A	40261015	O-ring
3B		RB Adapter for solenoid
3C		Solenoid shaft assembly includes gasket, plunger, plunger spring, and solenoid shaft
4	40261082	CP Handle coupling (exposed installation)
5A		Solenoid flux plate (exposed installation), fine thread
5B		N/A Separately
6		120 V Coil
		24 VAC Coil
7A		CP Solenoid housing (exposed installation) fine thread
		CP Solenoid housing (120V) coarse thread
7B		Solenoid cover assembly (includes flux plate)
8		Face plate for 24 VAC solenoid (exposed installation)
9A		CP Nut for solenoid (exposed installation)
9B		Housing nut for solenoid (concealed installation)
10		Tail
		Old style ESS 24V coarse thread (120V also)
		1-1/4" Extension for EL-123-A coarse thread
11		CP Flange assembly (exposed installation)
		Old style ESS 24V coarse thread (120V also)
12		CP Screws (requires four screws per cover plate)

Item	Part #	Description
13	48000243	CP Cover plate for sensor & solenoid operator (urinal only)
14		CP Cover plate for sensor & override button (closet only)
15		CP Cover plate for solenoid operator (closet only)
16		CP Cover plate for sensor
17	48000244	Yoke assembly (urinal only)
18		Override switch and yoke assembly (closet only)
19	40260301	Urinal sensor replacement kit (urinal only)
20	40260304	Closet sensor replacement kit (closet only)
21		Transformer (120 VAC)
		Transformer (240 VAC), 50 VA plate mount
22		Surface-mounted sensor and override button assembly (closet only)
23		Surface-mounted sensor assembly (urinal only)
24		Solenoid assembly
25		Control module
26		Exposed plate with override button (urinal only)
27		Yoke assembly for EL-566-A
Not shown	64789120	Repair tool kit for EL-163-A repair kit
Not shown		Override button replacement for EL-566-A



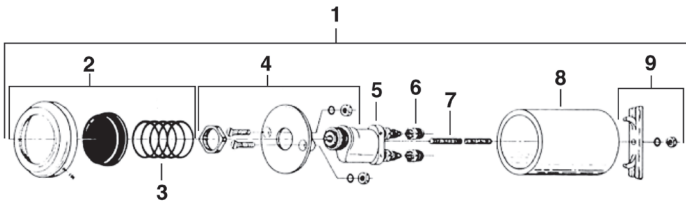


TOTAL MAINTENANCE SOLUTIONS

FLUSH VALVES

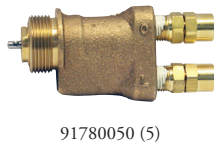
FLUSH VALVE REPAIR PARTS

SLOAN HYDRAULIC



FIXTURE WALL PUSH-BUTTON REPAIRS

Item	Part #	Description
1		Fixture wall PB assembly
2		Push-button kit
3		Spring
4		Mounting flange kit
5	91780050	Actuator assembly
6	40261013	Tube fitting nut
7		Threaded rod
8		Spacer
9		Mounting strap kit



PARTS FOR 900 SERIES

Item	Part #	Description
1	40261172	RB Royal cover
2	40261124	Inside cover

INSIDE PARTS KITS FOR 900 SERIES

Part #	Description
40261122	Low-consumption water closet 1.6 GPF
40261121	Water-saver closet kit 3.5 GPF
40268938	Wash-down urinals .5 GPF
40261123	Low-consumption urinals 1.0 GPF
40261120	Water-saver urinals 1.5 GPF
40268949	High-efficiency water closets 1.28 GPF

HYDRAULIC INSIDE PARTS KITS

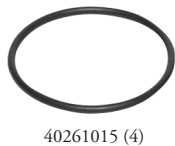
Part #	Description
90201801	Hydraulic Royal 1.6C
90201813	Hydraulic Royal 3.5C
90201804	Hydraulic Royal 0.5U
90201805	Hydraulic Royal 1.0U
90201806	Hydraulic Royal 1.5U

LOOKING FOR VACUUM BREAKER REPAIR PARTS FOR THE SLOAN 900? SEE PAGE 11-45

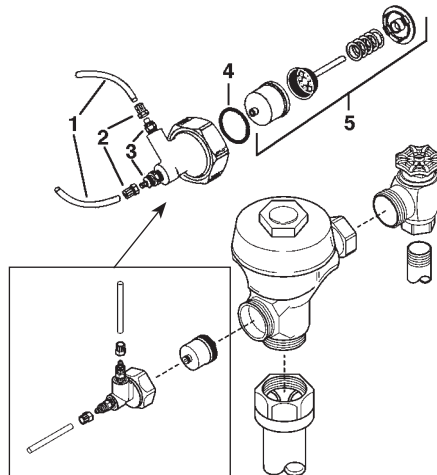
LOOKING FOR CONTROL STOP REPAIR PARTS FOR THE SLOAN 900? SEE PAGE 11-47

HYDRAULIC PUSH-BUTTON REPAIRS

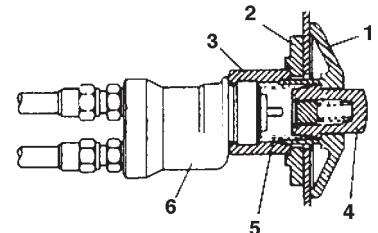
Item	Part #	Description
1	40261012	1/4" x 48" Connecting tube
2		Tube fitting nut- OBSOLETE
3		Tube fitting, - OBSOLETE
2,3	40261013	Tube fitting nut kit
4	40261015	O-ring
5	40260013	Actuator cartridge



Replaced by

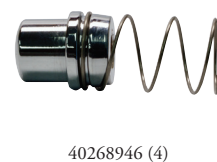


HY-108-A
Metal Button Panel
Mount
(MBPM)
Part # 40261150



HY-108-A PENALWARE METAL PUSH-BUTTON

Item	Part #	Description
1	40261027	Flange
2	40261028	Mounting washer
3	40261029	Mounting nut
4	40268946	Push-button assembly
5	40261034	Spring
6	91780050	Actuator assembly, HY-50-A
7	40260017	HY-32A cartridge

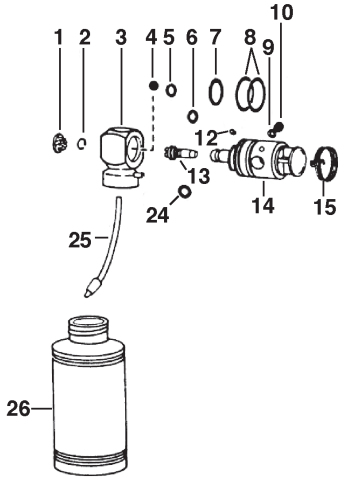


FLUSH VALVES

FLUSH VALVE REPAIR PARTS



SLOAN SLIMLINE BEDPAN WASHER



DEOSEPTIC UNIT REPAIR PARTS

Item	Part #	Description
1	40268892	CP plug button
2	40268893	Retaining ring
3	40268894	Swivel & ball check assembly
4		Ground rubber ball
5	91782354	O-ring
6	91782350	O-ring
7	40268895	O-ring
8	91782134	Diverter O-ring (2 required)
9	40268896	Diverter valve seal washer
10	40268897	Diverter valve seal
12	40268898	Set screw
13	40268899	Adjusting screw
14	40268900	DeoSeptic unit nozzle pivot
15	40268901	Counterbalance spring
24	91782326	O-ring
25	91782374	Aspirator tube assembly
26	40268908	DeoSeptic bottle



91782354 (5)



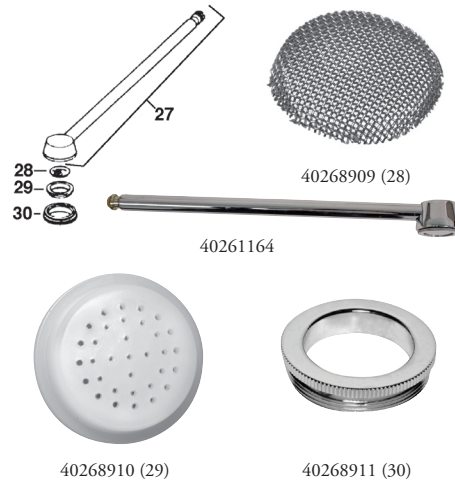
40268896 (9)



40268897 (10)

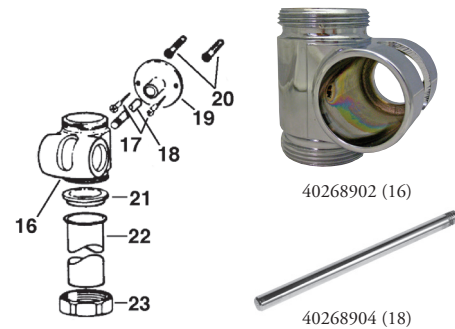


40268900 (14)



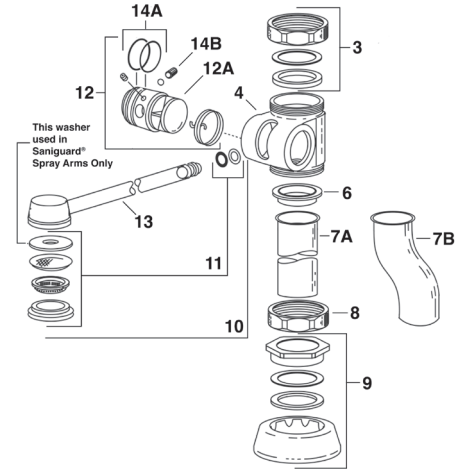
SPRAY ARM REPAIR PARTS

Item	Part #	Description
27	NLA	Nozzle & tube assembly - Order kit 40261164
28	40268909	Nozzle screen
29	40268910	Nozzle spray disc
30	40268911	Spray disc retainer



DEOSEPTIC BODY REPAIR PARTS

Item	Part #	Description
16	40268902	CP deoSeptic body
17		#10 wood screw
18	40268904	CP support rod
19	40268905	CP wall flange w/set screw
20	40268906	5/16" OD anchor
21	91782358	Outlet tube gasket
22	91782376	CP outlet tube
23	40800036	1-1/2" coupling outlet



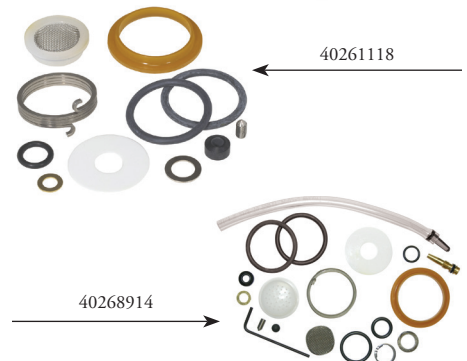
SLIMLINE BEDPAN WASHER

Item	Part #	Description
3	40268879	1-1/2" SJ Coupling
4	40268902	Diverter body (non-DeoSeptic bottle)
6	40950002	Outlet tube gasket - flanged tube
7A	40800045	1-1/2" x 6" flanged tailpiece
7B	3234138	1-1/2" x 1" offset tailpiece
8	40800036	1-1/2" cp Brass SJ nut
9	40266146	1-1/2" Spud coupling
10	40261164	12" Arm replacement kit
11		Spray arm repair kit
12	40268960	Pivot replacement kit
12A	40151383	Nozzle pivot
13		Repair kit 15" Saniguard Spray Arm
14A	91782134	O-rings for piston
14B	40268898	Set screw
	40261118	Diverter rebuild kit - includes items 6, 11 (spray arm kit) & 14A, 14B
	40268914	DeoSeptic rebuild kit

40151383



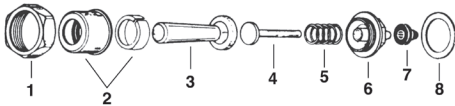
40261118



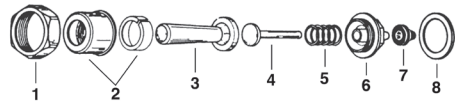
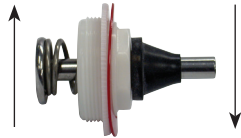


TOTAL MAINTENANCE SOLUTIONS
FLUSH VALVES
 FLUSH VALVE REPAIR PARTS

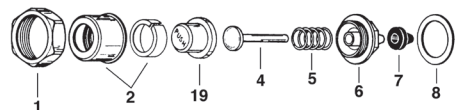
SLOAN HANDLE REPAIR PARTS (PEDAL, HANDLE, CONCEALED)



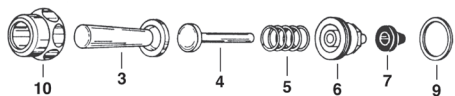
HANDLE FOR EXPOSED ROYAL & CROWN REPAIR KIT (ITEMS 4-8) PART # 40262305



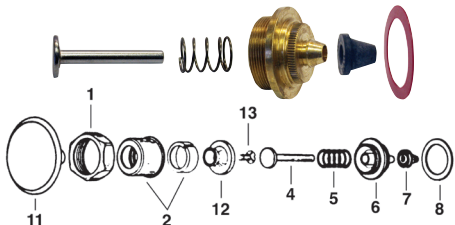
HANDLE FOR EXPOSED NAVAL REPAIR KIT (ITEMS 4-8) PART # 40262305



PUSH-BUTTON FOR EXPOSED ROYAL & CROWN REPAIR KIT (ITEMS 4-8) PART # 40262305

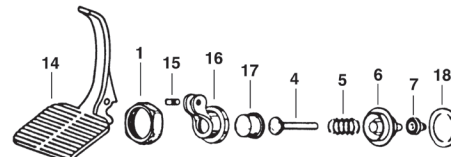


HANDLE FOR GEM REPAIR KIT (ITEMS 4-7, 9) PART # 40268916

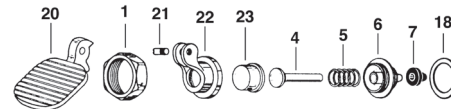


3" PUSH-BUTTON FOR EXPOSED ROYAL & CROWN REPAIR KIT (ITEMS 4-8) PART # 40263396

Item	Part #	Description
1	40261082	CP Coupling
2	40262109	Handle socket
3	40262274	Handle grip
4		Plunger
5		Spring
6		Bushing
7	40262297	Handle Seal
8	40261139	Handle gasket
9	91783515	Handle gasket (GEM)
10		CP Socket
11-13	40268875	3" Push-button assembly
14	91785053	CP Pedal handle
15	40265054	CP Screw
16		CP Socket
17		CP push-button
18	40268918	Handle gasket
19	40261025	Index push-button
20	40268917	CP Pedal
21	40265054	CP Screw
22		CP Flange with set screw
23		CP push-button



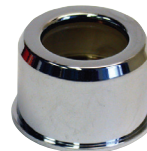
PEDAL HANDLE PUSH-BUTTON FOR EXPOSED ROYAL & CROWN REPAIR KIT (ITEMS 4-7 & 16-18) PART # 91785030



PEDAL PUSH-BUTTON FOR EXPOSED ROYAL & CROWN REPAIR KIT (ITEMS 4-7, 18, & 22-23) PART # 91785030



40261082 (1)



40262109 (2)



40262274 (3)



40262297 (7)



NEW STYLE ADA HANDLE REPAIR KIT
 Items 4-8
 Exposed Royal & Crown
 Part # 40261011



CP PEDAL EXPOSED PUSH-BUTTON ASSEMBLY
 Items 1,4-7, 18, 20, 21-21
 Part # 40268919



CP HANDLE ASSEMBLY FOR GEM
 Items 3-7, 9 and 10
 For GEM
 Part # 40268915



3" PUSH-BUTTON ASSEMBLY
 Items 1-2, 4-8, 11-13
 Exposed Royal & Crown
 Part # 40268874

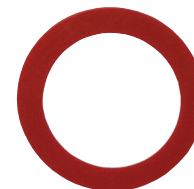


PUSH-BUTTON ASSEMBLY
 Items 2, 4-8 & 19
 Exposed Royal & Crown
 NO PHOTO
 Part # 91785035



PEDAL HANDLE PUSH-BUTTON ASSEMBLY
 Items 1, 4-7, 14-18
 Exposed Royal & Crown
 NO PHOTO
 Part # 91785051

CP HANDLE ASSEMBLY
 Items 2-8
 Exposed Royal & Crown
 Part # 40262279



40261139 (8)



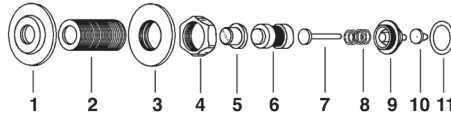
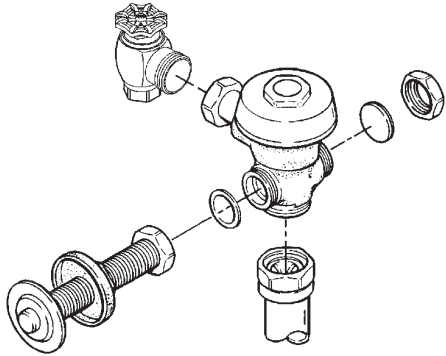
ANTIMICROBIAL "SANIGUARD" HANDLE
 Part # 40261391



40265054 (21)



SLOAN CONCEALED VALVE HANDLE REPAIR PARTS



MANUAL PUSH-BUTTON REPAIRS

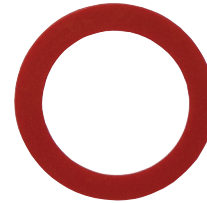
Item	Part #	Description
1	40261032	Wall flange, 2-3/4" SPL VR Flange for wall box
2	See Below	B-6A Socket
3	40261033	RB Locknut
4	40261024	RB Coupling
5	40261025	Index push-button
6		Filler rod (see below)
7		Plunger
8		Spring
9		Bushing
10	40262297	Handle seal
11	40261139	Handle gasket
7-11	40261026	Handle repair kit



40261025 (5)



40262297 (10)



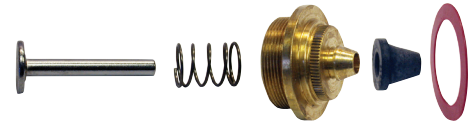
40261139 (11)



40261032 (1)



40261024 (4)

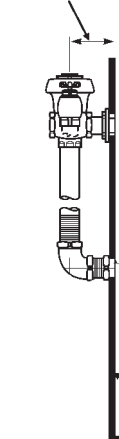


40261026 (7-11)

FILLER RODS (B-15-A)

Specify "L" Dimension – face of finished wall to center of supply: 2-3/4" + wall thickness

"L" Dimension



- "L"
- 3-3/4"
- 4-3/4"
- 5-3/4"
- 6-3/4"
- 7-3/4"
- 8-3/4"
- 9-3/4"
- 10-3/4"
- 11-3/4"
- 12-3/4"
- 13-3/4"
- 14-3/4"



B-15-A

"L" DIMENSION (FACE OF FINISHED WALL TO CENTER OF SUPPLY)

Description	4-3/4"	5-3/4"	6-3/4"	7-3/4"	8-3/4"
B-6-A Wall socket	0302037	91785010	0302050	0302054	0302059
B-15-A Filler rod	0302197	0302201	0302208	0302211	0302216

"L" DIMENSION (FACE OF FINISHED WALL TO CENTER OF SUPPLY)

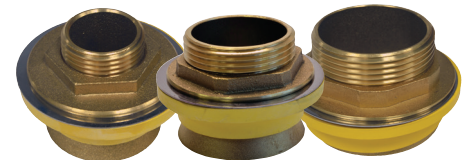
Description	9-3/4"	10-3/4"	11-3/4"	12-3/4"	13-3/4"	14-3/4"
B-6-A Wall socket	0302063	0302069	0302074	0302077	0302080	0302081
B-15-A Filler rod	0302219	0302223	0302226	0302301	0302232	0302233

GOLDEN SPUD GASKETS



GOLDEN SPUD GASKET ONLY

Part #	Description
40212120	3/4"
40212110	1-1/4"
40212118	1-1/2"



SPUDS WITH GOLDEN SPUD GASKET

Part #	Description
40210961X	3/4"
40210960X	1-1/4"
40210959X	1-1/2"

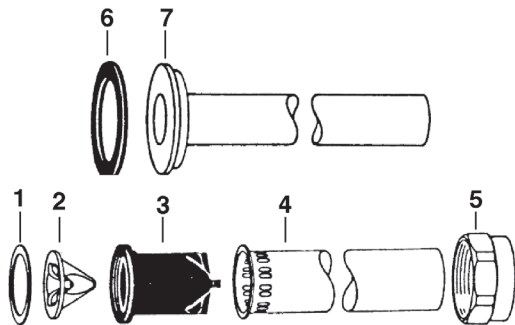


TOTAL MAINTENANCE SOLUTIONS

FLUSH VALVES

FLUSH VALVE REPAIR PARTS

SLOAN VACUUM BREAKERS & PARTS



SLOAN VACUUM BREAKER PARTS

Item	Part #	Description
1-3	40201005	Repair kit for V-500 series
1-5	40263005	3/4" x 9" CP Vacuum breaker assembly
	40263210	3/4" x 15" CP Vacuum breaker assembly
1-5	40263006	1-1/4" x 9" CP Vacuum breaker assembly
	40261035	1-1/4" x 13-1/2" CP Vacuum breaker assembly
	40261036	1-1/4" x 21-1/2" CP Vacuum breaker assembly
1-5	40261040	1-1/2" x 9" CP Vacuum breaker assembly
	40261042	1-1/2" x 13-1/2" CP Vacuum breaker assembly
	40261039	1-1/2" x 21-1/2" CP Vacuum breaker assembly
	40263016	1-1/2" x 24-1/2" CP Vacuum breaker assembly
1	40261047	1-1/2" Friction ring
2	40261048	Baffle
3		Rubber sleeve (N/A order kit 40201005)
5	40261049	CP coupling
6	40261050	Gasket
7	40261052	3/4" x 10-1/2" CP outlet

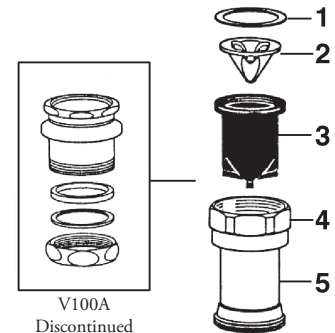
VACUUM BREAKER REPAIR KITS



40201005

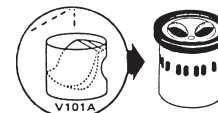


40263183
New style - high back pressure



V100A
Discontinued

Item	Part #	Description
1-3	40201005	Repair kit for V-500 series
1-3	40263183	Royal vacuum breaker
1-5	40263010	Vacuum breaker assembly V500A



Old Style V101A is no longer available.
Order new style V101A
Part # 91005504



40263010 (1-5)

BRASS SPUD PARTS

Item	Part #	Description
1	40210961	3/4" Brass spud assembly
	40211073	1-1/4" x 3/4" Spud
	40210960	1-1/4" Brass spud assembly
	40210959	1-1/2" Brass spud assembly
	40210058	2" Brass spud assembly
	40210020	2" x 1-1/4" Brass spud
	40211068	2" x 1-1/2" Brass spud
2	40211020	3/4" Spud washer
	40211019	1-1/4" Spud washer
	40211018	1-1/2" Spud washer
	40211087	2" Spud washer
	40210022	1" Friction ring for 3/4" spud
3	40210023	1-1/4" Galvanized friction ring
	40210015	1-1/2" Galvanized friction ring
	40210025	2" Galvanized friction ring
4	40210035	3/4" Brass spud nut
	40210036	1-1/4" Brass spud nut
	40210037	1-1/2" Brass spud nut
	40210038	2" Brass spud nut



1



2



3



4



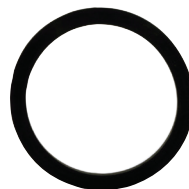
40263005, 40263210 (1-5)



40261040, 40261042,
40261039, 40263016 (105)



40261049 (5)



40261050 (6)



40263006, 40261035,
40261036, 91005530 (1-5)



40261047 (1)

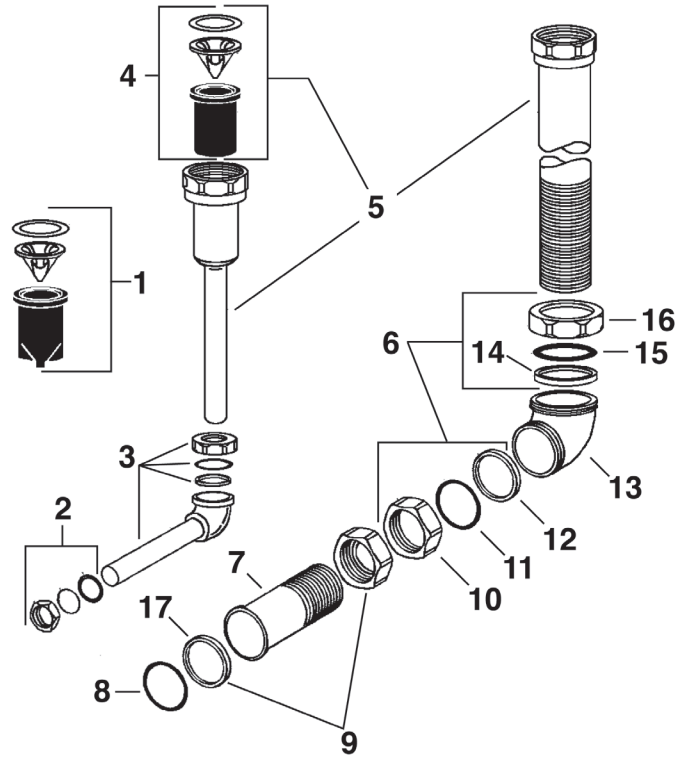
TOTAL MAINTENANCE SOLUTIONS
FLUSH VALVES
 FLUSH VALVE REPAIR PARTS



SLOAN VACUUM BREAKERS & PARTS

CONCEALED VACUUM BREAKER PARTS

Item	Part #	Description
1	40201005	Vacuum breaker repair kit
2		3/4" RB Coupling, friction ring and rubber gasket
3		3/4" RB Elbow flush connection with coupling and rubber gasket (specify length)
4	40263183	New style vacuum breaker repair kit
5		3/4" x 10-1/2" V/B Assembly CP
		3/4" x 15" V/B Assembly RB
		1-1/2" x 6" V/B Assembly RB
	40261291	1-1/2" x 7-1/2" V/B Assembly RB, with 3" score
	40261292	1-1/2" x 11-1/2" V/B Assembly RB, with 3" score
	40261293	1-1/2" x 13-1/2" V/B Assembly RB, with 3" score
	40261294	1-1/2" x 17-1/2" V/B Assembly RB, with 3" score
	40261295	1-1/2" x 22" V/B Assembly RB
6	40261008	1-1/2" RB Couplings (2 each), friction rings (2 each), and rubber gaskets (2 each)
7	40261296	1-1/2" x 3-1/4" w/ 3" score RB flared-end flush connection
	40261297	1-1/2" x 9-1/2" w/ 9" score RB flared-end flush connection
	40261298	1-1/2" x 15" w/ 13-1/2" score RB flared-end flush connection
8	40261009	1-1/2" Friction ring
9	40261010	1-1/2" RB coupling and rubber gasket
10	40800036	1-1/2" Slip joint nut – brass
11	40261009	1-1/2" Friction ring
12	40950008	1-1/2" Slip joint gasket
13	40261299	RB Elbow
14	40950008	1-1/2" Slip joint gasket
15	40261009	1-1/2" Friction ring
16	40800036	1-1/2" Slip joint nut – brass
17	40211324	Tailpiece washer
	40950135	Drip-proof vinyl washer



Item	Part #	Description
1-4	40266125	3/4" CP Spud coupling assembly
	40261053	1" CP Spud coupling assembly
	40266140	1-1/4" CP spud coupling assy.
	40266146	1-1/2" CP spud coupling assy.
1-3	40261054	3/4" Spud coupling
	40261055	1-1/4" Spud coupling
	40261056	1-1/2" Spud coupling
2	40261057	3/4" Friction ring
	40261058	1-1/4" Friction ring
	40261009	1-1/2" Friction ring
3	40261059	3/4" Slip joint gasket
	40261060	1" Slip joint gasket
	40950107	1-1/4" Slip joint gasket
	40950008	1-1/2" Slip joint gasket
4	40261061	3/4" Spud flange
	40261062	1-1/4" Spud flange
	40261063	1-1/2" Spud flange

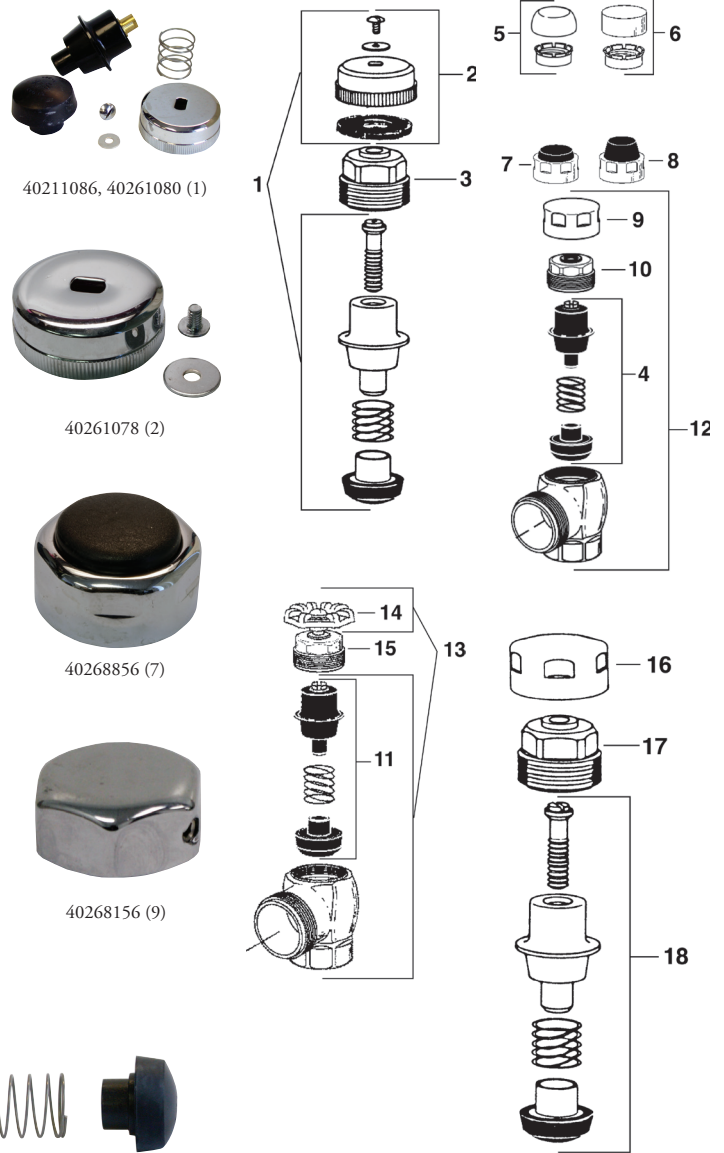


TOTAL MAINTENANCE SOLUTIONS
FLUSH VALVES
 FLUSH VALVE REPAIR PARTS

SLOAN CONTROL STOPS AND REPAIR PARTS

Item	Part #	Description
1	40211086	3/4" Control stop repair kit, exposed, LESS bonnet (#3)
	40261080	1" Control stop repair kit, exposed, LESS bonnet (#3)
2	40261078	Wheel handle repair kit
3	OBSOLETE	H-561 Bonnet 3/4" use part # 40261099
	40261099	H-553 Bonnet 1"
4	40261085	3/4" Stop repair kit for H-600A, H-600AG, H-540A, H-540AG
	40201009	1" Stop repair kit for H-600A, H-600AG, H-540A, H-540AG
5	40268855	1" Vandal-resistant stop cap assembly*
	40261251	3/4" Vandal-resistant stop cap assembly*
6		Vandal-resistant stop cap assembly (Crown only)
7	40268856	Control stop cap
8		Control stop w/ extended bumper
9	40268156	Vandalproof stop cap, H-1012-A
10		Bonnet
11	40261020	1" Control stop repair kit (LESS bonnet, with wheel handle)
	40261031	3/4" Control stop repair kit (LESS bonnet, with wheel handle)
12		Bak Chek stop – Complete
13		1" RB Wheel handle stop
		3/4" RB Wheel handle stop
14	40261087	Wheel handle for 900 Series (includes screw and washer)
15		RB Bonnet – 1"
16	40268840	H-573 Cap CP 1"
	40268848	H-582 Cap CP 3/4"
17	40261081	H-579 Bonnet 1"
	40261083	H-577 Bonnet 3/4"
	40261019	H-577 Bonnet (for 3/4" H-540 and H-600 Series stops)
18	40201009	H-600A, H-600AG, H-650AG, H-540A, H-540AG, H-545AG, 1" screwdriver stop repair kit
	40261085	H-600A, H-600AG, H-540A, H-540AG, 3/4" screwdriver stop repair kit
	40261017	Wheel handle repair kit (handle only)

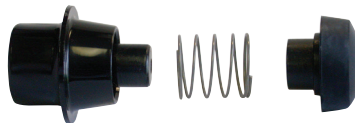
*Fits most Royal, Crown and Naval stops



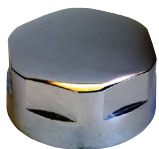
40261020, 40261031 (11)



40261081, 40261083 (17)



40201009, 40261085 (18)



40268840, 40268848 (16)



40261087



H-586 Cap CP for use with H-574 Bumper Part # 40261092



H-574 Bumper for use with Open Front Seat Part # 40261093 (Not Shown)

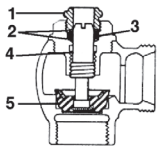
FLUSH VALVES

FLUSH VALVE REPAIR PARTS

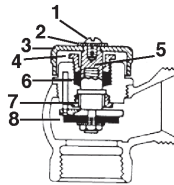


SLOAN CONTROL STOPS AND REPAIR PARTS

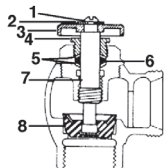
OBSOLETE CONTROL STOP REPAIR KITS



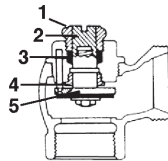
H-440-AG 1" SCREW-DRIVER STOP
Includes items 1-5
Part # 40268453



H-40-AG 1" WHEEL HANDLE STOP
Includes items 1-8
Part # 40261096



H-440-AG 1" WHEEL HANDLE STOP
Complete repair kit NLA, includes bonnet and rubber plug only
Part # 40261095



H-440-AG 3/4" SCREWDRIVER STOP
Includes items 1-5
Part # 40268442

H-20-AG 3/4" & 1/2" SCREWDRIVER STOP
Includes items 1-5
Part # 40268102
NLA

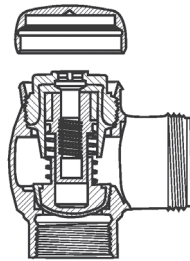
VANDAL-RESISTANT STOP CAP W/ SET SCREW



H-573 CAP CP VP 1"
Part # 40261097



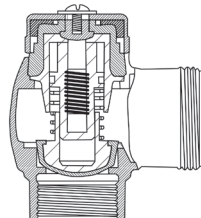
H-582 CAP CP VP 3/4"
Part # 40261098



H-700 STOP, CHROME-PLATED SCREW DRIVER ANGLE STOP
with H-1010-A vandal-resistant cap



Part #	Description
40261100	3/4" NPTF Inlet for adjustable tail
40261101	1" NPTF Inlet for adjustable tail



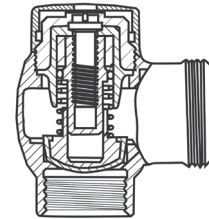
H-735 STOP, CHROME-PLATED EXPOSED WHEEL HANDLE ANGLE STOP

Part #	Description
40261103	3/4" NPTF Inlet for adjustable tail
40261104	1" NPTF Inlet for adjustable tail
40261105	3/4" NPTF Inlet for ground joint tail
40261106	1" NPTF Inlet for ground joint tail



***ADAPTER FOR SLOAN & ZURN VALVES TO DELANY GROUND JOINT STOPS**
Part # 40221183

H-700 SERIES BAK-CHEK COMPLETE CONTROL STOPS



H-710 STOP, CHROME-PLATED SCREW DRIVER ANGLE STOP
with H-573 cap



Part #	Description
40268025	3/4" NPTF Inlet for adjustable tail
40268029	1" NPTF Inlet for adjustable tail
40261102	3/4" NPTF Inlet for ground joint tail
40268387	1" NPTF Inlet for ground joint tail

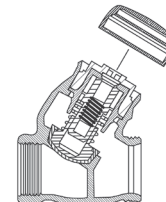


H-740 STOP CP SCREW DRIVER ANGLE STOP
with H-37 cap (Regal flushometer valve stop)

Part #	Description
40268025	3/4" NPTF Inlet for adjustable tail
40268029	1" NPTF Inlet for adjustable tail
40261108	3/4" NPTF Inlet for ground joint tail
40261109	1" NPTF Inlet for ground joint tail

H-790 STOP CP SCREW DRIVER ANGLE STOP
with vandal-resistant cap (Regal "XL" flushometer valve stop)

Part #	Description
40261110	3/4" NPTF Inlet for adjustable tail
40261111	1" NPTF Inlet for adjustable tail
40261114	3/4" NPTF Inlet for ground joint tail
40261115	1" NPTF Inlet for ground joint tail



H-750 STOP, SCREW DRIVER STRAIGHT STOP
with H-1010-A vandal-resistant cap
1" NPTF inlet for ground joint tail
Part # 40261005





TOTAL MAINTENANCE SOLUTIONS

FLUSH VALVES

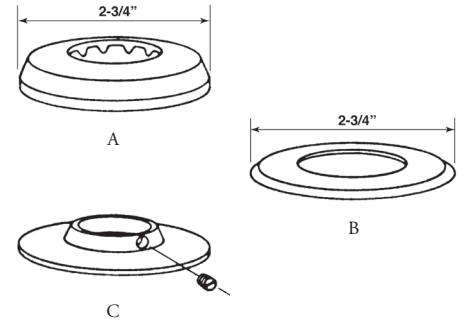
FLUSH VALVE REPAIR PARTS

SLOAN SPUD COUPLING AND TAILPIECE PARTS

TAILPIECE ASSEMBLIES & PARTS



Item	Part #	Description
1	40268676	Coupling nut for adj. tailpiece
2-4	40268801	2-1/16" Adjusting tailpiece
	40268803	3-1/16" Adjusting tailpiece
	40268805	4-1/16" Adjusting tailpiece
	40268807	5-1/16" Adjusting tailpiece
3	40268381	Lock ring
4	40950069	O-ring
5	40261003	Coupling nut for ground joint tailpiece
6	40261065	1-1/2" GJ tailpiece
	40261004	1-3/4" GJ tailpiece
	40261067	2" GJ tailpiece
	40261068	3-1/4" GJ tailpiece
	40261069	3-1/2" GJ tailpiece

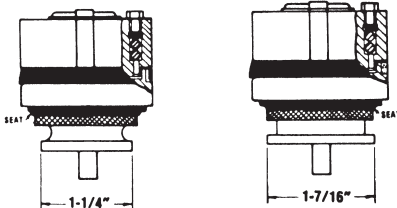


SUPPLY FLANGES FOR IRON PIPE

Part #	Description
40261070	F-7 1/2" IPS CP Flat (B)
40261071	F-7 1" IPS CP Flat (A)
40261072	F-7 1" IPS CP Flat (B)
40261073	F-7 3/4" IPS CP Flat supply (A)
40261077	F-7 3/4" IPS CP Flat (B)
40261074	F-45-A 3/4" IPS CP w/ set screw (C)
40261076	F-45-A 1" IPS CP w/ set screw (C)

SPEAKMAN

SPEAKMAN PISTON FOR UNITS PURCHASED PRIOR TO 1954

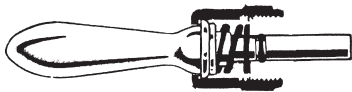


CLOSET PISTON

All standard type water closets, pedestals & syphon jet urinals
Part # 40201017

URINAL PISTON

All stall and flat back lipped urinals
Part # 40201018



HANDLE ASSEMBLY - FOR VALVES AFTER 1954

Part # 40201019
NLA

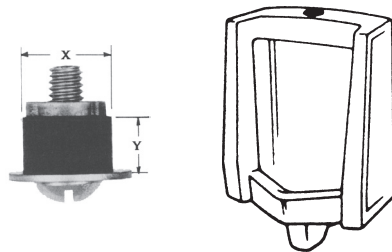
HANDLE REPAIR KIT

Part # 40201020



OLD STYLE HANDLE ASSEMBLY - FOR FLUSH VALVES PRIOR TO 1954

Part # 15890177
NLA



URINAL PLUGS

Part #	X	Y	Where Used
40211347	23/32"	3/4"	American Standard, Kohler
40120209	1"	1/2"	Crane
40210050	5/8"	3/4"	Kohler

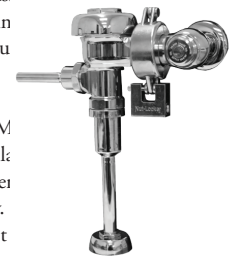
STOP FLUSH VALVE THEFT!

In office buildings, retail stores, warehouses, restaurants, interior and finish outs

Toilet and urinal flush valves have recently become the newest and fastest growing target for theft due to the scrap brass value. The Nut-Locker prevents the theft of toilet and urinal flush valves. Made from 304 Stainless steel with a chrome plated hinge that creates a collar and opens into a "C" shape. When closed it secures around the flush valve nut and creates a barrier to prevent the theft of the flush valve body by securing the nut in the "Nut-Locker" enclosure. The Nut-Locker still allows access to the flush valve for maintenance and service. Many different key codes are available so you can get the Nut-Locker alike or differently.

The Nut-Locker fits most valves including Sloan, Zurn, Kohler, even premium automatic flush valves. The Nut-Locker is TMS's solution to the increase of flush valve thefts.

It is designed with theft prevention as a priority.



Nut-locker with no 2 units keyed alike
Part # 48000176

Nut-locker with all units keyed alike
Part # 48000176-2

FLUSH VALVES

FLUSH VALVE REPAIR PARTS



URINAL STRAINERS

AMERICAN STANDARD



STAINLESS-STEEL URINAL STRAINER
For American Standard Washbrook 1.0 GPF urinal
OEM # 047068-0070A
Part # 90207068



VANDAL-RESISTANT URINAL STRAINER
For American Standard Washbrook urinals.
Stainless steel
Part # 90207381



FLOWISE URINAL STRAINER
For Washbrook urinals
OEM # 7301242-100.0020A
Part # 40127301



URINAL STRAINER
For American Standard Allbrook 6541 wall-hung urinal
Part # 40146541



PERFORATED BEEHIVE STRAINER ONLY
For American Standard 2-3/4" C/C
Part # 40140908



PERFORATED BEEHIVE STRAINER
With 3" flange for Crane Cromwell, Eljer Correcto and Kohler Barton
Part # 40140904

KOHLER



BEEHIVE URINAL SCREEN
OEM # K-GP1211759
Part # 40141211



URINAL STRAINER
Kohler beehive strainer with screw and tailcup
OEM # GP85061
Part # 40211297



URINAL STRAINER
For Kohler 5016 wall-hung urinals
Part # 40145016



CHINA GRATE URINAL STRAINER
Part # 90209721

SLOAN VALVE



STRAINER FOR ALL URINALS
OEM # SU-5
Part # 40265050

TOTO



URINAL STRAINER
OEM # THU3017
Part # 40243017



URINAL STRAINER
OEM # THU3010
Part # 40243010



URINAL STRAINER
OEM # THU 3053
Part # 40243053

TROUGH STRAINER

STRAINER WITH BEEHIVE GRID
1-1/2" OD by 4" long tailpiece. For trough urinals with 2-1/8" diameter outlet, 3" flange
Part # 40100909



ZURN



URINAL STRAINER
OEM # Z5798-STR
Part # 40295798



URINAL STRAINER
OEM # Z5738-STR
Part # 40295738



URINAL STRAINER
OEM Z5755-STR
Part # 40295755



URINAL STRAINER
OEM Z5750-STR
Part # 40295750

UNIVERSAL STRAINER



UNIVERSAL PERFORATED BEEHIVE STRAINER
Caulks 2" pipe, for floor-mounted urinals
Part # 47001088

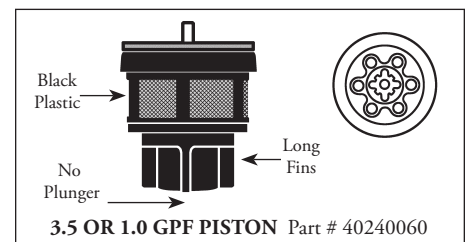
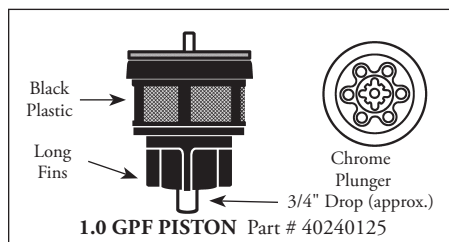
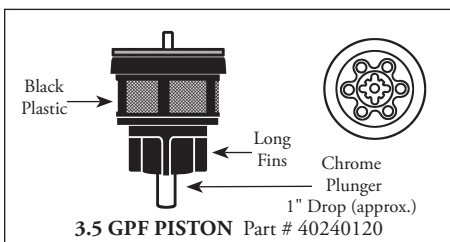
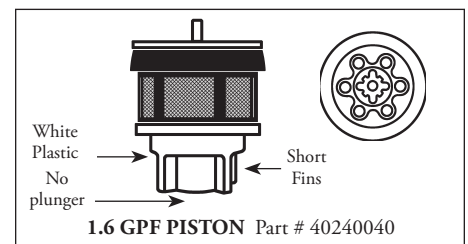
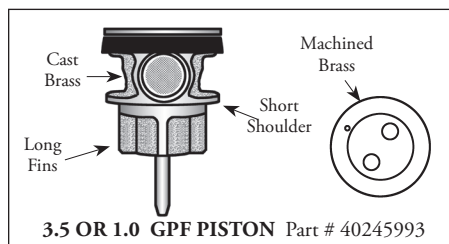
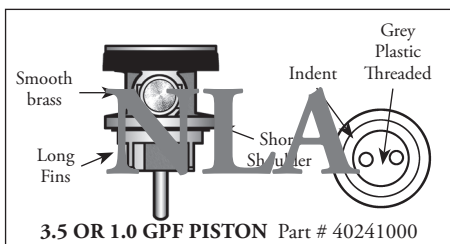
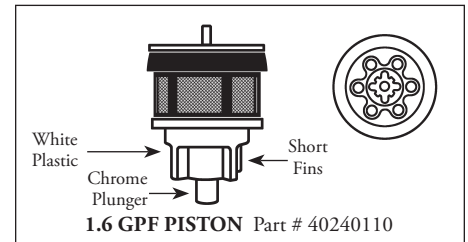
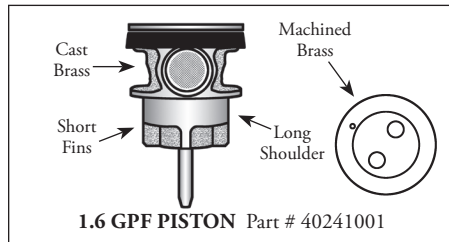
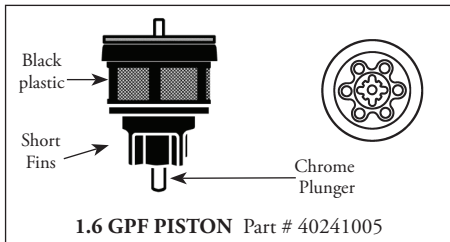


TOTAL MAINTENANCE SOLUTIONS

FLUSH VALVES

FLUSH VALVE REPAIR PARTS

TOTO PISTONS AT A GLANCE

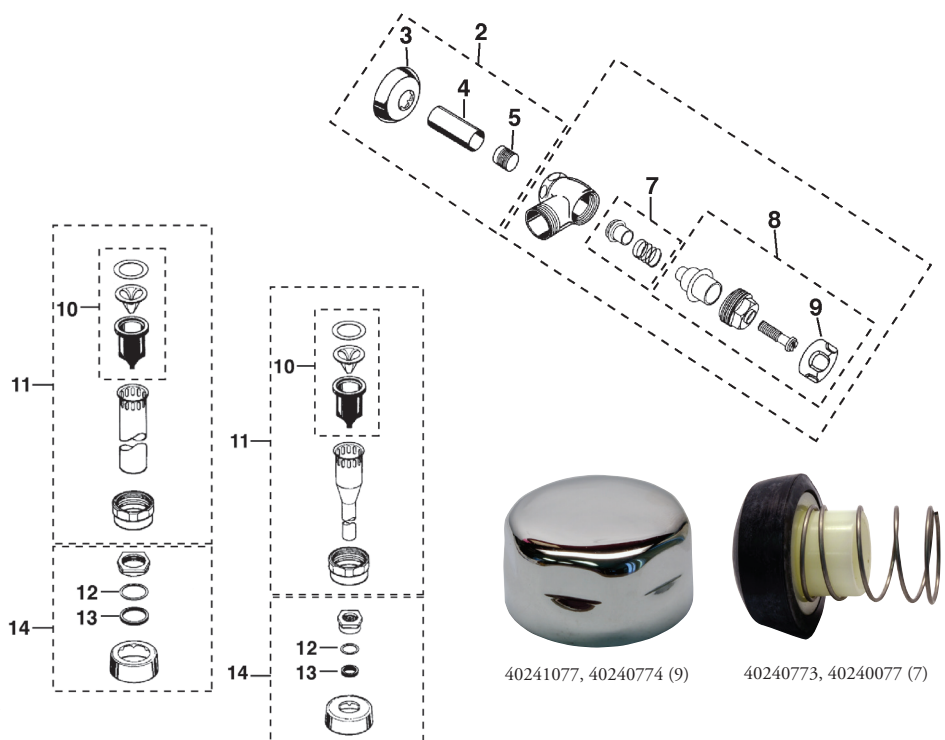


TOTO MANUAL

RELIANCE COMMERCIAL LINE VACUUM BREAKER & ANGLE STOP SET FOR TOILET

With Exposed Top Spud – 1-1/2" and 3/4" Outlet

Item	Part #	Description
1		Exposed top spud (1-1/2" outlet)
2	See page 11-39	Sweat solder kit for toilet
3		Wall flange 1"
4		Sleeve cover 1"
5		Solder adapter 1"
6		Angle stop 1", toilet, chrome plated
7	40240773	Angle stop repair kit 1"
	40240077	Angle stop repair kit 3/4"
8		Angle stop cover 1"
9	40240774	Angle stop cap 1"
	40241077	Angle stop cap 3/4"
10	40201005	Vacuum breaker repair kit
11		Tube assembly (1-1/2" x 8-17/32")
12	40261009	Friction ring 1-1/2"
	40261057	Friction ring 3/4"
13	40950008	Gasket 1-1/2"
	40261059	Gasket 3/4"
14	See page 11-45 and 11-46	Spud nut & escutcheon 1-1/2"
	See page 11-45 and 11-46	Spud nut & escutcheon 3/4"



FLUSH VALVES

FLUSH VALVE REPAIR PARTS



TOTO MANUAL

RELIANCE COMMERCIAL LINE MANUAL FLUSH VALVE, EXPOSED
1.0 & 3.5 GPF URINAL, 1.6 GPF TOILET TMU1HNCR & TMT1HNCR SERIES

Item	Part #	Description
1	40241002	Lever assembly – MFV
2		Valve cover set (1.0 GPF)
		Valve cover set (1.6 GPF)
3	92751305	U-packing (for piston)
4	40245993	Piston assembly (1.0 & 3.5 GPF)
	40241001	Piston assembly (1.6 GPF)
5		Fiber washer
6		Locking ring
7		O-ring (tail piece)
8		Gasket (U-packing)
9		Screw cap (MFV & angle stop)
10		Adjustment screw (urinal)
11		O-ring (cap screw)
12		O-ring (valve guide)
13		Nut
14		Tailpiece
15		Seat packing set
16		Adjustment screw (toilet)
17		Screw cap (toilet)



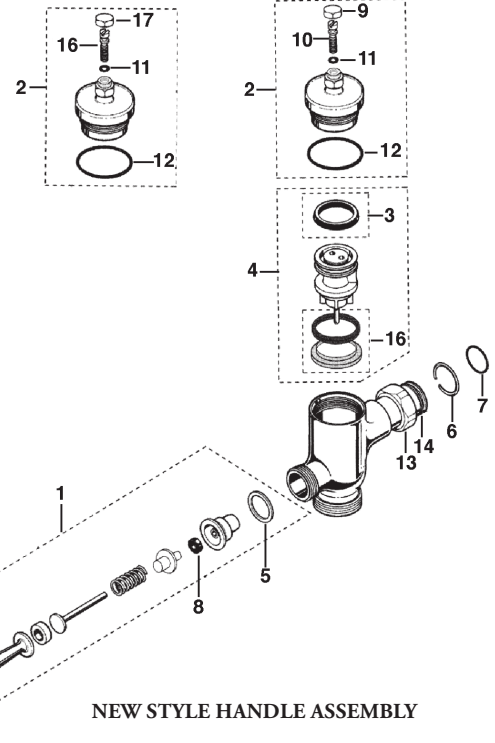
92751305 (3)



40245993 (4)



40241001 (4)



40241002 (1)

RELIANCE COMMERCIAL LINE MANUAL FLUSH VALVE, EXPOSED 1.0, 1.6 & 3.5 GPF TMU1HNC & TMT1HNC SERIES

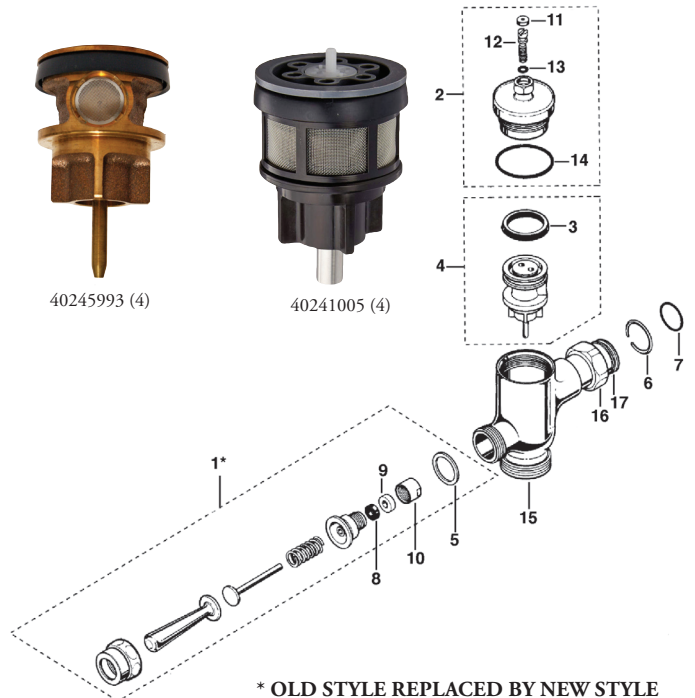
Item	Part #	Description
1	40241002	Lever assembly, MFV
2		Valve cover set (1.0 GPF)
		Valve cover set (1.6 GPF)
3	40241004	U-packing (for piston)
4	40245993	Piston assembly (1.0 GPF & 3.5 GPF)
	40241005	Piston assembly (1.6 GPF)
5		Fiber washer
6		Locking ring
7		O-ring (tailpiece)
8		Gasket (U-packing)
9		Guide ring
11		Screw cap (MFV & angle stop)
12		Cap adjustment screw (TMU1HNC)
		Cap adjustment screw (TMT1HNC)
13		O-ring (cap screw)
14		O-ring (valve guide)
15		Valve body (MFV) – new
16		Nut
17		Tailpiece



40245993 (4)



40241005 (4)



40241002 (1)

* OLD STYLE REPLACED BY NEW STYLE



TOTAL MAINTENANCE SOLUTIONS
FLUSH VALVES
 FLUSH VALVE REPAIR PARTS

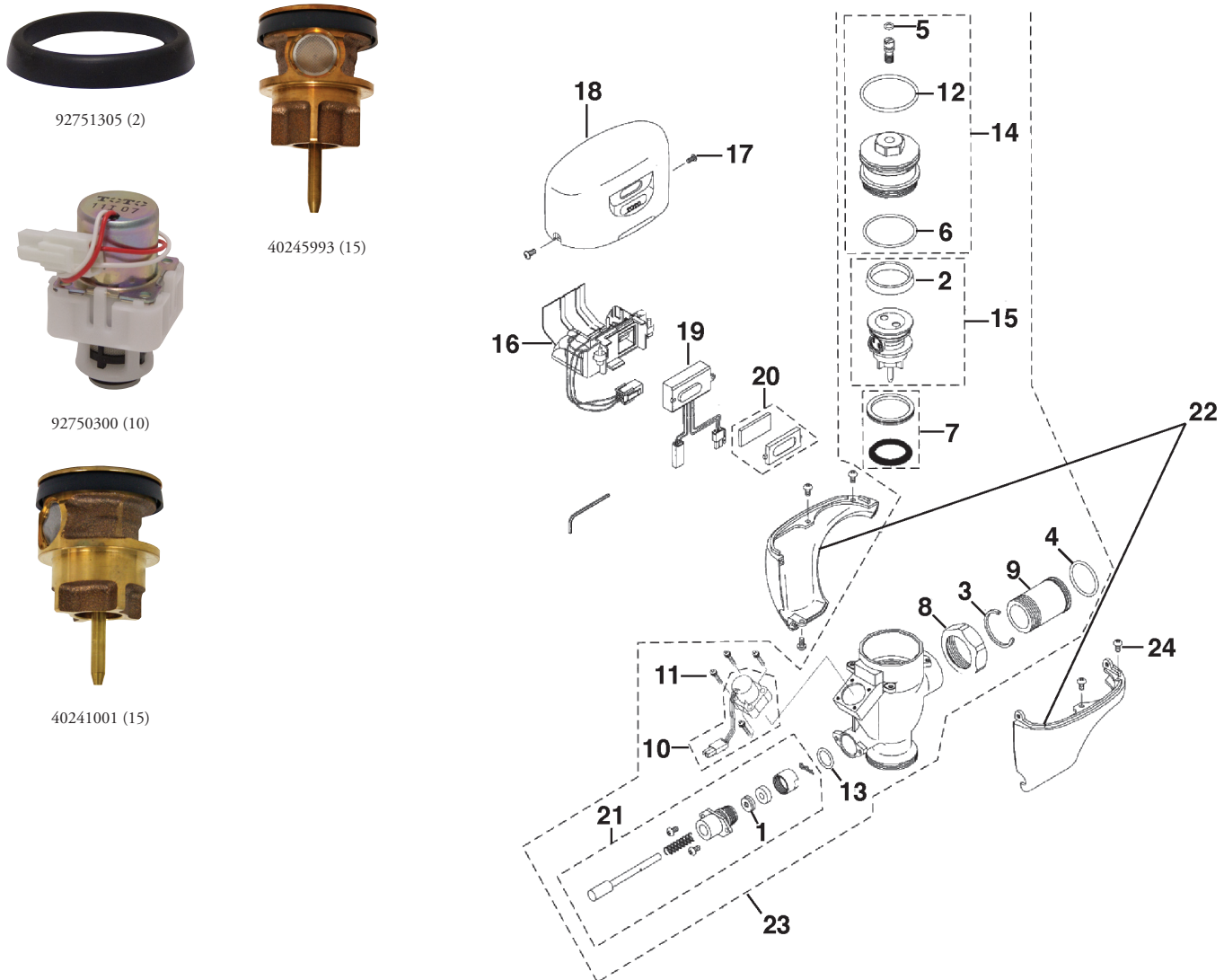
TOTO SENSOR (2006-2008)
 EXPOSED 1.6 GPF – BATTERY POWERED (6V, DC)

Item	Part #	Description
1		Gasket
2	92751305	U-packing (for piston)
3		Locking ring
4		O-ring (tail piece)
5		O-ring (cap screw)
6		O-ring (valve guide)
7		Seat packing set
8		Nut
9		Tailpiece
10	92750300	Solenoid unit & diaphragm assembly
11		Double sems screw
12		O-ring (valve cap)
13		O-ring (push rod)
14		Valve cap assembly – toilet

Item	Part #	Description
15	40241001	Piston assembly (1.6 GPF)
	40245993	Piston assembly (3.5 GPF)
16		Battery case – DC
17		Hex socket pan head cap screw set
18		Top cover DC type
19		Sensor controller – DC toilet
20		Glass & packing set
21	92750319	Push rod assembly
22		Lower toilet cover set
23		Valve body for exposed (toilet 1.6 GPF)
24		Screw set

Note: Allen wrench is for reference purpose only.

Replacement batteries: Part # 30100044 (4 required)



FLUSH VALVES

FLUSH VALVE REPAIR PARTS

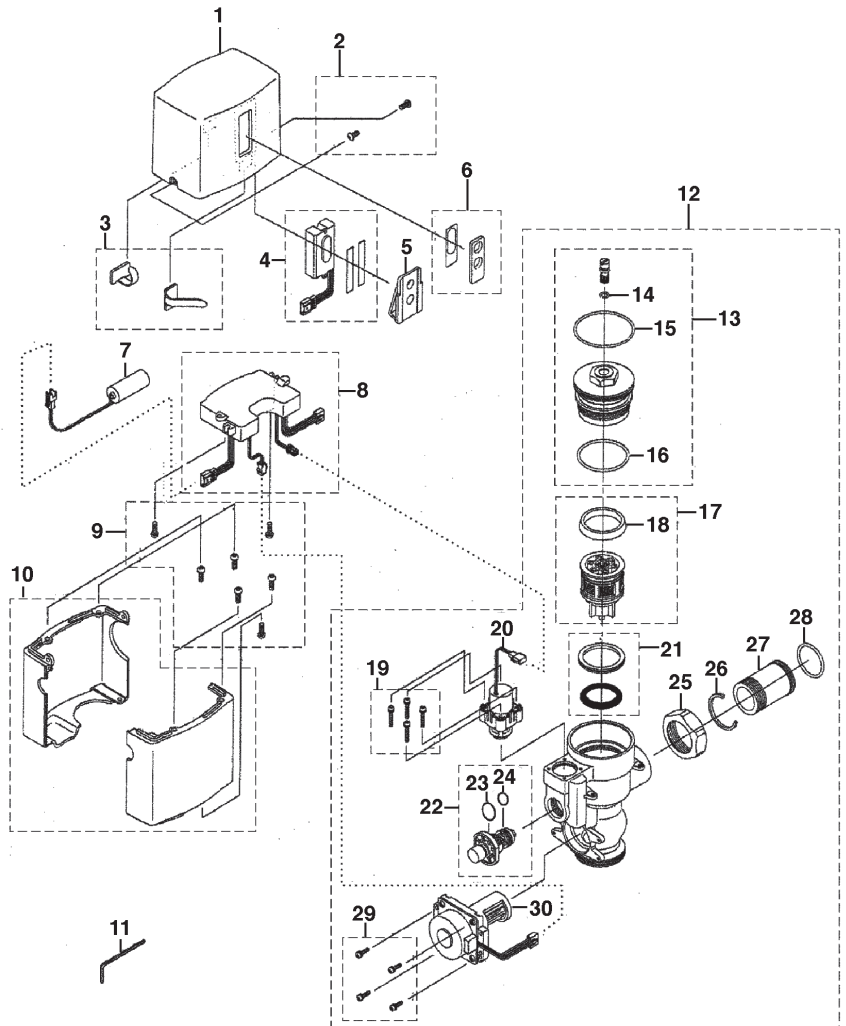


TOTO SENSOR (2009-2017)

RELIANCE COMMERCIAL LINE ECOPOWER™ TET1GNC AND TEU1GN SENSOR FLUSH VALVES
WITH HYDRO-POWER CHARGE

Item	Part #	Description
1		Top cover
2		Hex socket pan head cap screw M4 set
3		Clamp set
4	40240025	Sensor controller and packing set
5		Holder
6		Glass and packing set
7	40240050	Back-up battery
8	40240559	Controller
9		M4 screws
10		Lower cover set
11		Tool (Allen wrench)
12		Valve body
13		Valve cap assembly
14		O-rings
15		O-ring set (valve cap) 10 pieces
16		O-rings (valve guide)

Item	Part #	Description
17	40240060	Piston assembly – urinal 1.0 - 3.5 GPF
	40240040	Piston assembly – toilet 1.6 GPF
18		U-packing (for piston)
19		Double sems screw M3
20	40240042	Solenoid unit & diaphragm assembly
21		Seat packing set
22		Manual flushing button
23		O-rings (manual flushing button)
24		O-rings (manual flushing button)
25		Nut
26		Locking rings
27		Tailpiece
28		O-rings (tailpiece)
29		Double sems screws M3
30		Hydro-Power Generator



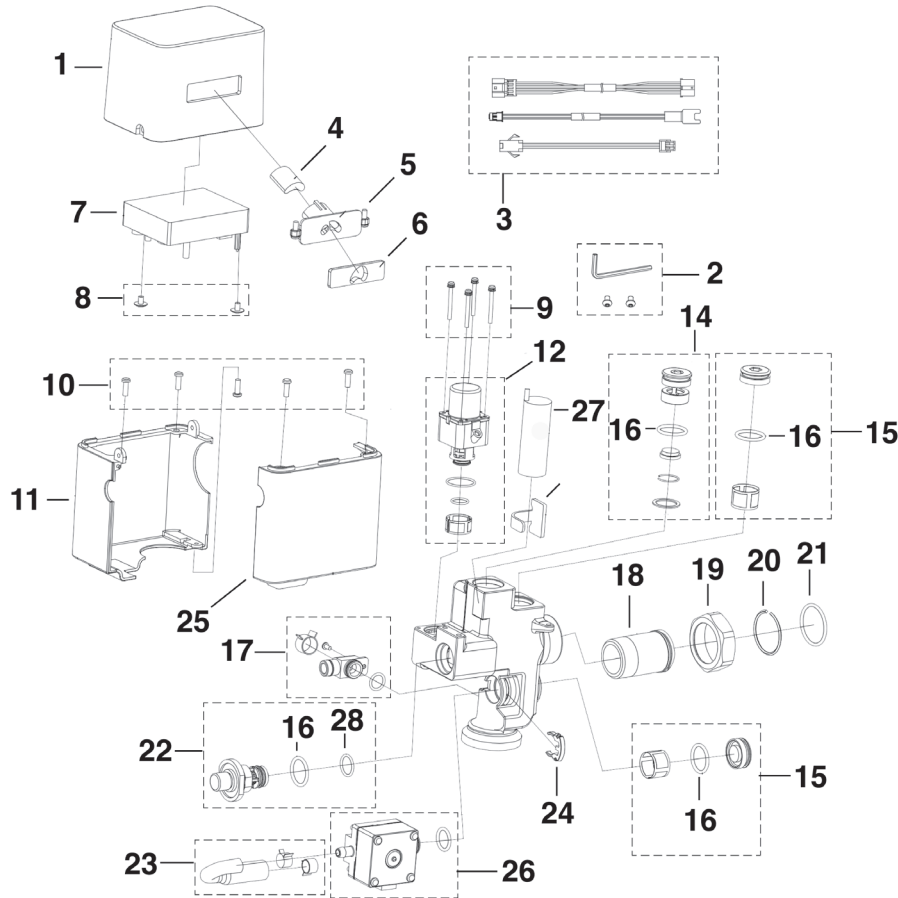


TOTAL MAINTENANCE SOLUTIONS

FLUSH VALVES

FLUSH VALVE REPAIR PARTS

TOTO SENSOR (2018-PRESENT)

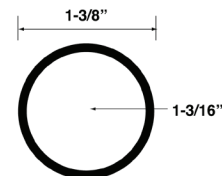


ECOPOWER EXPOSED 0.125 URINAL

Item	Part No.	Description
1		Top Cover
2		Screw w/wrench set
3		Extension harness (3 type/bag)
4	40240200	Sensor unit
5		Bracket, sensor w/screw
6		Glass, sensor window
7	40240210	Controller unit
8		Screw, controller mount (2/bag)
9		Screw (4/bag)
10		Screw, cover, valve (5/bag)
11		Cover, Lower, B
12	40240215	Solenoid unit & diaphragm assy
13		Clamp set (10/bag)
14		Regulator unit
15	40240205	Regulator unit for reclaimed water
		Primary filter set for reclaimed water
16		O-ring, Cap
17		Hose adapter - EcoPower generator - pint
18		Tailpiece
19		Tailpiece Nut
20	40268381	Locking ring
21	40950069	Tailpiece O-ring
22	40240100	Manual flush push button
23		Hose set, EcoPower pint generator
24		retainer clip
25		EcoPower generator
26		Back-up battery
27		O-ring



40268381 (20)



40950069 (21)



40240100 (22)

FLUSH VALVES

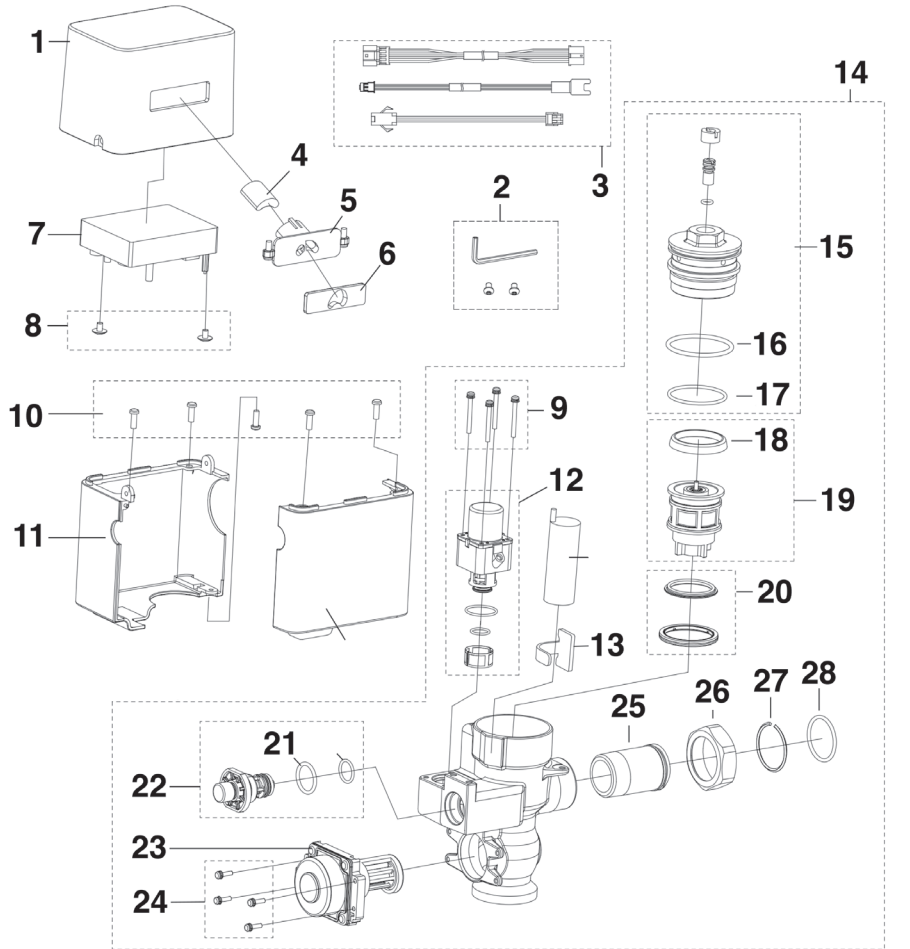
FLUSH VALVE REPAIR PARTS



TOTO SENSOR (2018-PRESENT)

ECOPOWER 0.5, 1.0, 1.28 & 1.6 GPF

Item	Part #	Description
1		Top Cover
2		Screw w/wrench set
3		Extension harness
4	40240200	Sensor unit
5		Bracket, sensor w/screw
6		Glass, sensor window
7	40243198	Controller unit A 0.5 GPF
	40243280	Controller unit E 1.0 GPF
	40243196	Controller unit C 1.28 GPF
	40243197	Controller unit D 1.6 GPF
8		Screw, controller mount
9		Screw
10		Screw, cover, valve
11		Cover, Lower, B
12	40243190	Solenoid unit & diaphragm assembly
13		Clamp set
14		Valve body assembly-exposed Valve body assembly-reclaimed water
15		Valve cap assembly Valve cap assembly - reclaimed water
16		O-ring, valve cap top
17		O-ring, valve cap bottom
18		U-packing, piston
19	48000446	Piston assembly 0.5, 1.0, 1.28 & 1.6 GPF
20		Seat packing set
21		O-ring, screen nut
22	40240100	Push button assembly
23		EcoPower generator unit - 0.50 urinal EcoPower generator unit - 1.0, 1.28, 1.6
24		Screw, EcoPower generator
25		Tailpiece
26		Nut, tailpiece/angle stop
27	40268381	Locking ring
28	40950069	Tailpiece O-ring
29		Cover, Lower, B
30		Back-up battery
31		O-ring



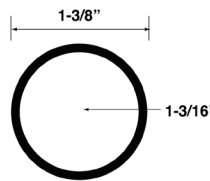
48000446 (19)



40240100 (22)



40268381 (27)



40950069 (28)



TOTAL MAINTENANCE SOLUTIONS

FLUSH VALVES

FLUSH VALVE REPAIR PARTS

ZURN MANUAL

AQUAVANTAGE/AQUAFLUSH EXPOSED REPAIR KITS

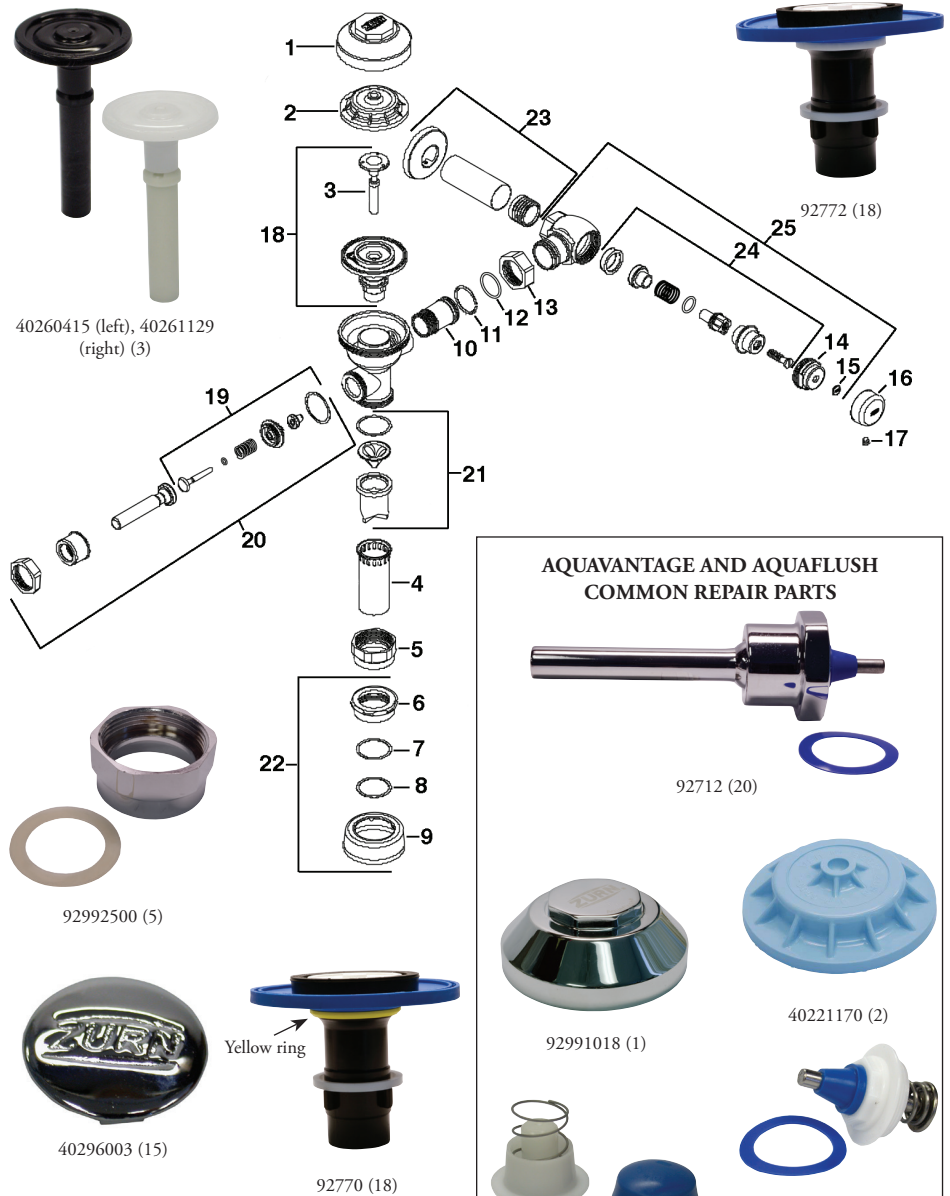
Item	Part #	Description
1	92991018	Valve body cover
2	40221170	Plastic cover
3	40260415	Trip mechanism, urinal
	40261129	Trip mechanism, closet
4		Vacuum breaker tube
5	92992500	Vacuum breaker tube nut
6		Spud nut
7		Spud friction washer
8		Spud sleeve
9		Spud escutcheon
10		Tailpiece
10-12	40290100	Adjustable tailpiece for standard flush valve
11	40268381	Snap ring
11-13		Tailpiece coupling assembly
12	40950069	Tailpiece O-ring
13		Locking nut
14	40291018	Stop bonnet
15	40296003	Snap cap screw cover
16-17	40291019	Vandal-resistant control stop cover, 3/4" and 1", includes Allen wrench, Aquavantage only

AQUAVANTAGE CHEMICAL RESISTANT DIAPHRAGM KITS

18	92770	Water-saving closet kit – 3.5 GPF
	40291227	2.4 GPF closet kit
	92772	Low-consumption closet kit – 1.6 GPF
	92779	Closet and urinal rebuild kit – 1.6 GPF includes 25, 26, 28
	40291225	HET Water closet kit – 1.28 GPF (PL Only), Aquavantage
	3239205	1.5 GPF urinal kit
	3239215	1.0 GPF urinal kit
	40291235	.5 GPF urinal kit
	40291240	.125 GPF urinal kit (Pint)

AQUAFLUSH DIAPHRAGM KITS

	40291036	Full flow 4.5 GPF Closet kit
	40296035	Water-saving closet kit – 3.5 GPF
	40296039	Low-consumption closet kit – 1.6 GPF, Aquaflush
	40291025	Water-saving urinal kit – 1.5 GPF
	40291031	Low-consumption urinal kit – 1.0 GPF
	40291024	.5 GPF urinal kit
	40291400	Water-saving urinal kit, .5 GPF
		Full-flow urinal kit – 3.0 gal. flush
19	40291209	Handle repair kit (side)
20	92712	ADA Handle assembly (side)
21	40291040	Vacuum breaker repair kit



Item	Part #	Description
22	See page 11-59	Spud coupling assembly, 1-1/2"
23		Sweat solder connection with cast wall flange
24	40291210	Control stop repair kit for 1"
	40291218	Control stop repair kit for 3/4"
	40291017	VP Control stop repair kit for 1" and 3/4"
25	40296015	1" screwdriver control stop
	40296020	3/4" screwdriver control stop



FLUSH VALVES

FLUSH VALVE REPAIR PARTS



COMMON ZURN REPAIR PARTS



AQUAFLUSH INSIDE PARTS KIT



AQUAVANTAGE INSIDE PARTS KIT



VACUUM BREAKER REPAIR KIT (NEW STYLE)
Part # 40291040



PLASTIC INSIDE COVER
Part # 40221170



SIDE HANDLE REPAIR KIT (REPLACES B-50-A)
Part # 40291209

CLOSET KITS

Part #	Description
40291036	4.5 GPF
40296035	3.5 GPF
40296039	1.6 GPF

CLOSET KITS

Part #	Description
92770	3.5 GPF
40291227	2.4 GPF
92772	1.6 GPF
40291225	1.28 GPF

URINAL KITS

40291025	1.5 GPF
40291031	1.0 GPF
40291024	.5 GPF

URINAL KITS

Part #	Description
3239205	1.5 GPF
3239215	1.0 GPF
40291235	.5 GPF
40291240	.125 (Pint)



ADA FLUSH VALVE HANDLE
Part # 92712



ZURN AQUAFLUSH DIAPHRAGM KIT WITH FLOW RINGS

Replacement parts kit includes items 1, 2, 3 & 4
Part # 40291027

Item	Description
1	Black flow ring for 1.0 GPF urinal w black trip mechanism
2	White flow ring for 1.6 GPF closet w/ white trip mechanism
3	Yellow flow ring for 3.5 GPF closet w/ white trip mechanism or 1.5 GPF urinal w/ black trip mechanism
4	Diaphragm

AQUAFLUSH REBUILD KITS

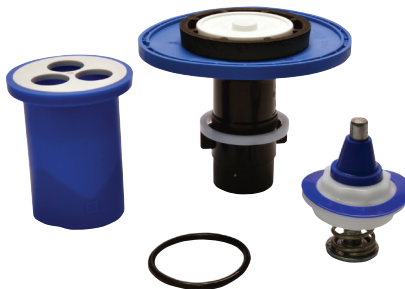
Includes Handle kit, Inside Parts kit and Vacuum Breaker kit

CLOSET

Part #	Description
40298120	4.5 GPF
40291041	3.5 GPF
40296011	1.6 GPF

URINAL

40291042	1.5 GPF
92998160	1.0 GPF
40290500	0.5 GPF



AQUAVANTAGE REBUILD KITS

Includes Handle kit, Inside Parts kit and Vacuum Breaker kit

CLOSET

Part #	Description
92779	1.6 GPF Closet
40290400	1.25 GPF Closet

URINAL

Part #	Description
40290404	1.0 GPF Urinal
40290405	0.5 GPF Urinal
40290406	0.125 GPF Urinal

ZURN FLUSHTROL REPLACEMENT PARTS



DIAPHRAGM CONTROL CARTRIDGE
Part # 40291039

HANDLE INTERNAL CAP ASSEMBLY
Part # 40296037



TOTAL MAINTENANCE SOLUTIONS

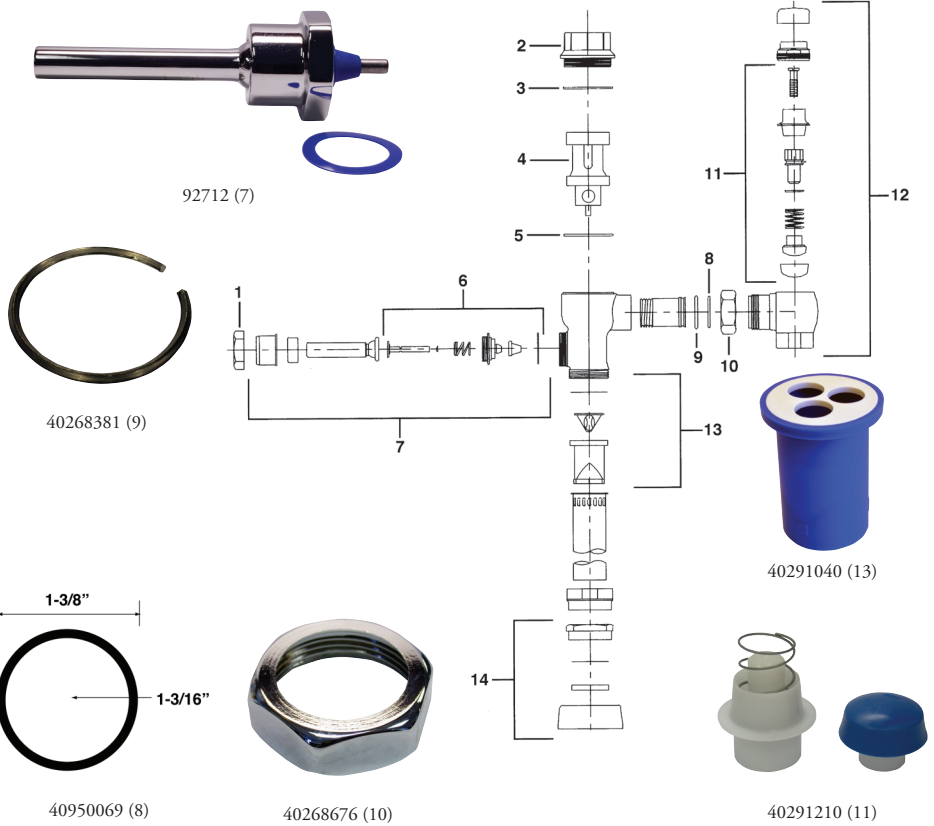
FLUSH VALVES

FLUSH VALVE REPAIR PARTS

ZURN MANUAL

ZURN METROFLUSH

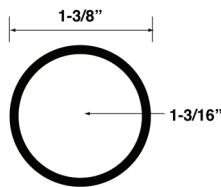
Item	Part #	Description
1		Handle nut
2		Valve body cover
3		Cover gasket
4	40291006	Closet kit 3.5 GPF
	92996200	Closet kit 1.6 GPF
	92996016	Urinal kit 1.0 GPF
	40291012	Urinal kit, .5 GPF
5	92996020	Main seat
6	40291209	Handle repair kit
7	40262002	ADA handle assembly
8	40950069	Tailpiece O-ring
9	40268381	Snap ring
10	40268676	Locking nut
11	40291210	Control stop repair kit, 1"
	40291218	Control stop repair kit, 3/4"
12		Control stop
13	40291040	Vacuum breaker repair kit



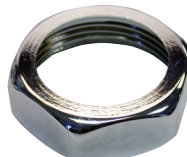
40291006, 92996200
92996016, 40291012 (4)



40291209 (6)



40950069 (8)



40268676 (10)

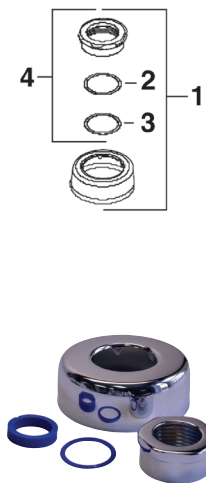


40291210 (11)

ZURN SPUD ESCUTCHEONS

SPUD ESCUTCHEONS

Item	Part #	Description
1	40290040	3/4" Spud coupling assembly
	40290042	1-1/4" Spud coupling assembly
	40290044	1-1/2" Spud coupling assembly
2	40290030	3/4" friction washer
	40290028	1-1/4" friction washer
	40290026	1-1/2" friction washer
3	40261059	3/4" slip joint washer
	40950107	1-1/4" slip joint washer
	40950008	1-1/2" slip joint washer
4	40290022	3/4" Spud coupling nut & gasket
	40290020	1-1/4" Spud coupling nut & gasket
	40290018	1-1/2" Spud coupling nut & gasket

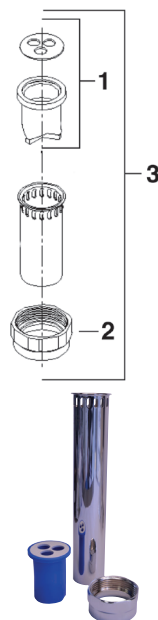


40290040, 40290042,
40290044

ZURN VACUUM BREAKER ASSEMBLIES

Item	Part #	Description
1	40291040	Vacuum breaker kit
2	92992500	Tube nut
3	40290050	3/4" x 9" VB assembly
		3/4" x 13" VB assembly
		3/4" x 21" VB assembly
40290052	3/4" x 24" VB assembly	
	1-1/4" x 9" VB assembly	
	1-1/4" x 13" VB assembly	
40290054	1-1/4" x 21" VB assembly	
	1-1/2" x 9" VB assembly	
	1-1/2" x 13" VB assembly	
		1-1/2" x 21" VB assembly
		1-1/2" x 24" VB assembly
		1-1/2" x 36" VB assembly

More Sizes Available! Call Us!



TOTAL MAINTENANCE SOLUTIONS
FLUSH VALVES
 FLUSH VALVE REPAIR PARTS

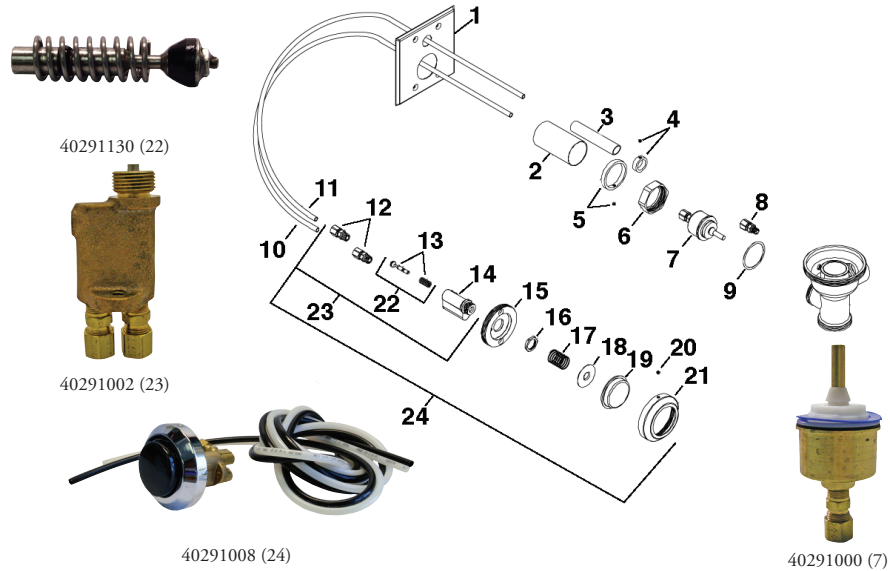


ZURN HYDRAULIC

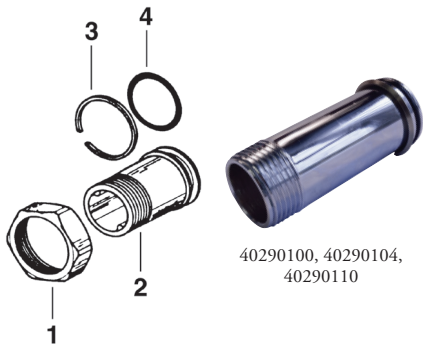
AQUAVANTAGE HYDRAULIC-OPERATED REPAIR KITS

Item	Part #	Description
1		Chrome cover plate
2		Return cover tube
3		Supply cover tube
4		Cover tube ring with setscrew
5		Cover tube ring with setscrew
6	40261082	Handle nut
7	40291000	Hydraulic plunger assembly
8		1/16" Compression Fitting
9		Gasket
10		1/4" Return tube
11		1/4" Supply tube
12		1/8" Compression fitting
13		Piston assembly
14		Actuator body
15		Mounting plate
16		Securing nut
17		Spring for large push-button
18		Spacer for large push-button
19		Large push-button
20		Escutcheon setscrew
21		Escutcheon for large push-button
22	40291130	Repair kit for hydraulic actuator

Item	Part #	Description	Item	Part #	Description
23	40291002	Hydraulic metal push-button assembly	24	40291007	Hydraulic large push-button assembly, fixture wall
		Hydraulic metal push-button assembly for penel use		40291008	Hydraulic large push-button assembly, side wall



ZURN TAILPIECE ASSEMBLIES



TAILPIECE ASSEMBLIES

Item	Part #	Description
1	40268676	Locking nut
2-4	40290100	2-1/8" (Rough-in 4-1/4"-5-1/4")
		2-3/4" (Rough-in 5" - 5-3/4")
	40290104	3-3/8" (Rough-in 3/8" - 6-1/4")
		4" (Rough-in 6"-7")
		4-5/8" (Rough-in 6-3/4" - 7-1/2")
	40290110	5-1/4" (Rough-in 7-1/4"-8-1/4")
		5-7/8" (Rough-in 8"-8-3/4")
3	40268381	Lock ring
4	40950069	O-ring

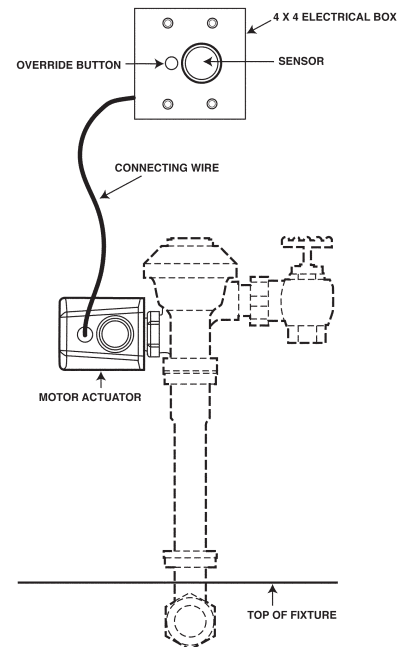
ZURN SENSOR

ZURN BATTERY POWERED AUTOMATIC SENSOR RETROFIT FOR CONCEALED FLUSH VALVES
 Part # 40291043



REPLACEMENT PARTS

Part #	Description
40291044	Override push-button assembly
40291045	Sensor for closet
40291046	Sensor for urinal
30100057	"C" batteries





TOTAL MAINTENANCE SOLUTIONS

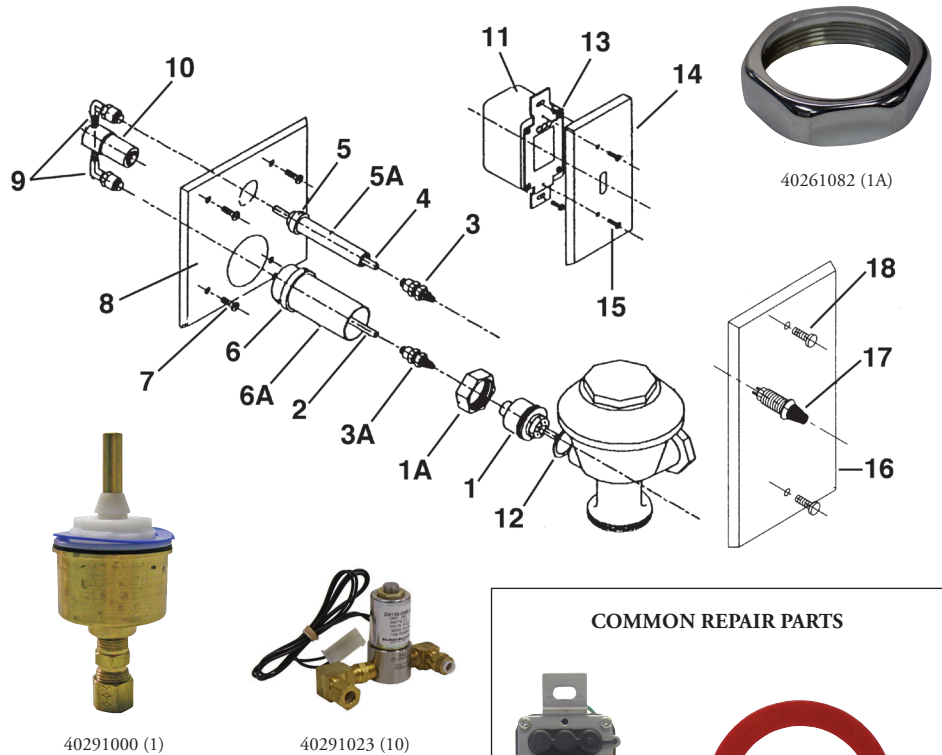
FLUSH VALVES

FLUSH VALVE REPAIR PARTS

ZURN SENSOR

ZURN MODEL Z-6001-ES-S AND Z-6003-ES-S SENSOR OPERATED EXPOSED SYSTEMS

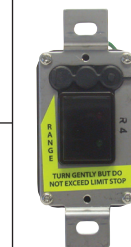
Item	Part #	Description
1	40291000	Actuator assembly
1A	40261082	Handle nut
2		Return tube
3		1/16 comp. fitting
3A		1/8 comp. fitting
4		Supply tube
5		Supply tube cover ring
5A		Supply tube cover
6		Return cover tube ring
6A		Return cover tube
7		Screws (4 required)
8		Cover plate
9		Elbow fittings (set of 2)
10	40291023	Solenoid
11	92995020	Sensor for closet
	92995022	Sensor for urinals
12	40261139	Handle gasket
13		Sensor screws
14		Sensor cover plate
15		Screws
16		Wall plate
17		Indicator light
18		Screws



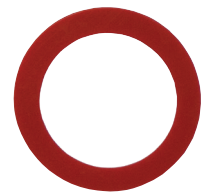
40291000 (1)

40291023 (10)

COMMON REPAIR PARTS



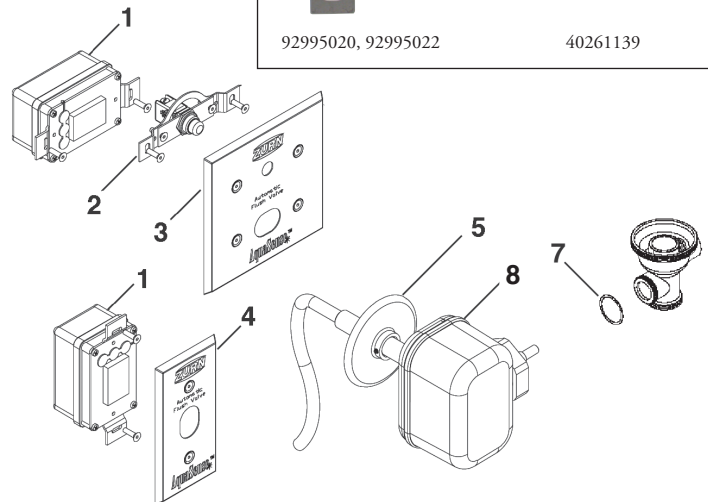
92995020, 92995022



40261139

ZURN ZEMS SERIES

Item	Part #	Description
1	92995020	Sensor for closets
	92995022	Sensor for urinals
2		Closet override button
3		Closet sensor plate
4		Urinal sensor cover plate
5		Escutcheon
6	92995010	Actuator – exposed units, integral sensor
7	40261139	Handle seal
not shown		120VAC/6VDC power converter
8	92995012	Actuator – concealed or exposed, non-integral sensor



92995010 (6)



FLUSH VALVES

FLUSH VALVE REPAIR PARTS



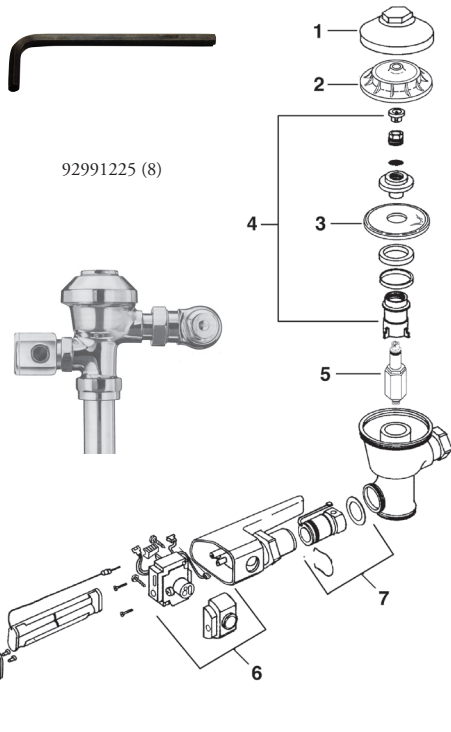
ZURN SENSOR

ZRK-ZURN RETRO-FLUSH

Item	Part #	Description
1	92991018	Main valve body cover
2	40221170	Plastic inside cover
3	40291027	Diaphragm (see also p. 11-57)
4	40221177	Urinal inside parts kit, 1.5GPF
4	40291032	Urinal inside parts kit, 1.0GPF
4	40291026	Closet inside parts kit, 3.5GPF
4	40296038	Closet inside parts kit, 1.6GPF
5	40291037	Trip mechanism
6	40221085	6V DC Closet sensor
7	40291087	Solenoid valve replacement kit
8	92991225	Hex wrench
	40221059	Complete 3.5 closet Retro-Flush unit
	40291085	Complete 1.5 urinal Retro-Flush unit

* For Battery replacement ZURN Recommends Duracell Alkaline - 4 AA's Part # 30100044

SEE PAGE 11-58 FOR COMMON REPAIR PARTS



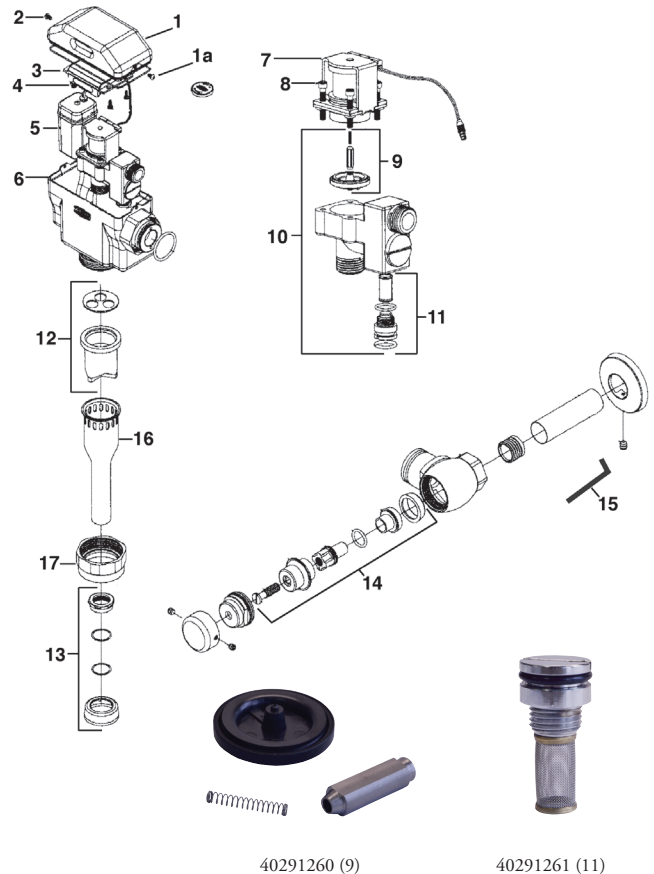
40291087 (7)

92991225 (8)

ZEG6003EV 1/8TH GALLON URINAL – “THE PINT” “FIRST GENERATION”

Item	Part #	Description
1		Cover
1A		Cover O-ring
2		Cover screw
3		Electronics assembly
4		Lens assembly
5		Battery tray
6		Housing
7		Solenoid
7-8		Solenoid replacement kit
8		Screw
9	40291260	1/8th GPF Solenoid repair kit
10		1/8th GPF Valve body replacement kit
11	40291261	1/8th GPF Filter replacement kit
12	40291040	Vacuum breaker repair kit
13	40290040	3/4" Flush connection and spud coupling
14	40291210	Control stop repair kit for 1"
	40291218	Control stop repair kit for 3/4"
15		Hex wrench
16		Vacuum breaker tube
17	92992500	Vacuum breaker tube nut

* Discontinued, some parts still available. Replaced with ZTR-6203-ULF. See also p. 11-63



40291260 (9)

40291261 (11)

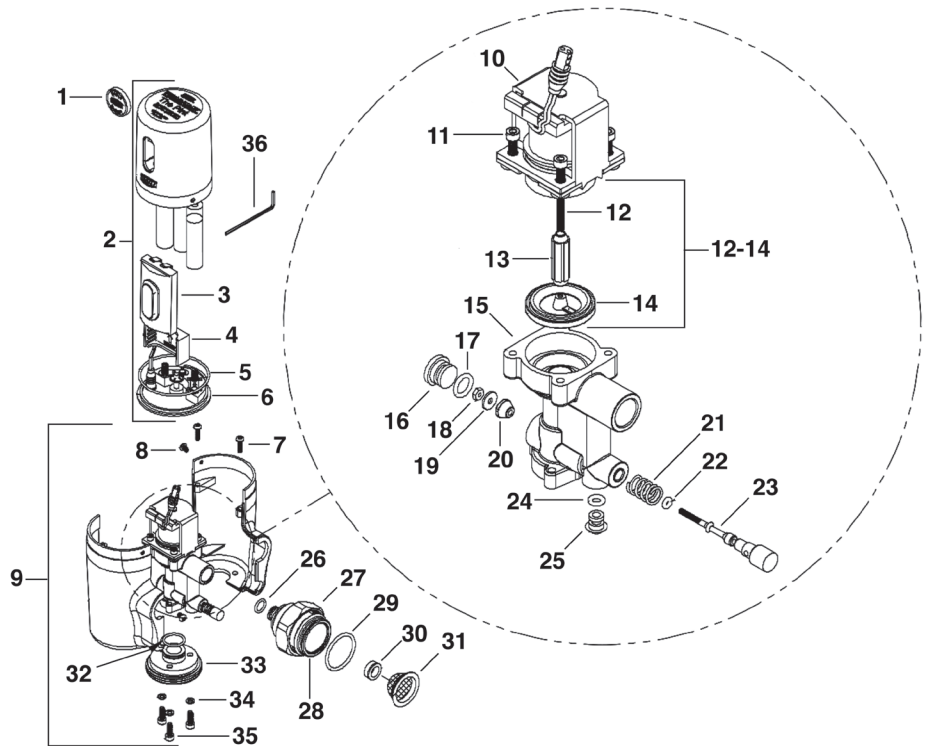


TOTAL MAINTENANCE SOLUTIONS
FLUSH VALVES
 FLUSH VALVE REPAIR PARTS

ZURN SENSOR

ZEG6003EV PINT "SECOND GENERATION"

Item	Part #	Description
1		Magic Magent
2	40291262	1/8 GPF cover replacement kit
3		Lens/electronic assembly
4		Electronic wedge
5		Cover O-ring
6		Electronic housing cover
7		Housing screws
8		Cover screw
9	40291263	Housing replacement kit
10-11	40291264	Solenoid with screws
12-14	40291260	Solenoid repair kit
15		Solenoid valve body
16		Manual override plug
17		Manual override plug O-ring
18		Manual override nut
19		Manual override washer
20		Manual override seal
21		Manual override spring
22		Manual override O-ring
23		Manual override shaft
24		Bottom plug O-ring
25		Bottom plug
26		Tailpiece inner O-ring
27		Tailpiece nut
28		Tailpiece
29		Tailpiece O-ring
30		Flow control
31		Filter
32		Tube adapter O-ring
33		Tube adapter
34		Tube adapter seal
35		Tube adapter screw
36		Hex wrench 1/8"



40291260 (12-14)

FLUSH VALVES

FLUSH VALVE REPAIR PARTS



ZURN SENSOR

ZURN ZTR6200 SENSOR FLUSH VALVE

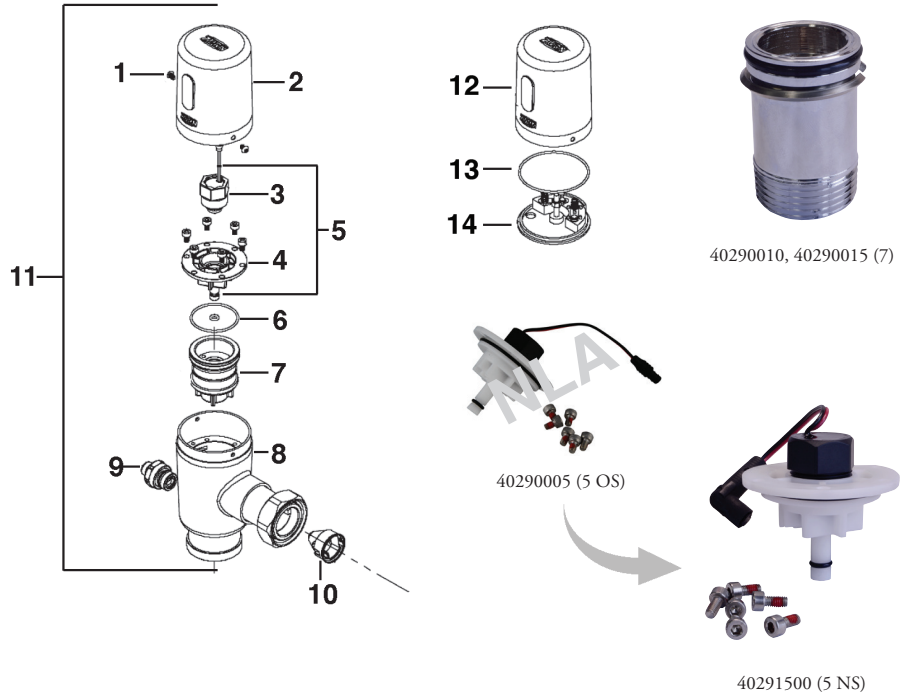
Item	Part #	Description
1	*	Cover screw
2	*	Valve cap/sensor assembly
3	*	Solenoid
4	*	Piston cover screws
5	NLA*	Solenoid kit
6	*	Flange O-rings
7	40290010	Piston kit, 1.28/1.6 GPF
	40290015	Piston kit, .5/1.0 GPF
8		Valve Housing
9		Manual Override Button
10		Filter
11		Valve assembly
12		Top Valve cap/sensor assembly
13		Battery Housing O-ring
14		Battery cover

Item #5 Solenoid Kit (Old Style) NLA

Replace with item #s 1-6 Valve Cap/Sensor Assembly
 After item #s 1-6 are replaced, #5 can be replaced with
 40291500 (Solenoid Assembly, New Style)

VALVE CAP/SENSOR ASSEMBLIES (1-6)

40296212	1.28 GPF
40296216	1.6 GPF
40296201	1.0 GPF
40296205	0.5 GPF



ZURN STOP ASSEMBLIES AND REPAIR KITS



Part #	Description
40296020	3/4" CP Screwdriver stop
40296015	1" CP Screwdriver stop



40291019



40291018



40291210, 40291017



40291218



40296003

STOP CAPS

Part #	Description
40291019	3/4" and 1" Vandal-proof stop cap
40291018	Stop Bonnet
40296003	Screw cover stop cap



40291021

STOP REPAIR KITS

Part #	Description
40291210	1" Stop valve repair kit
40291218	3/4" SD Stop valve repair kit
40291017	Vandal-proof stop repair kit for 3/4" and 1"
40291021	Wheel handle repair kit



TOTAL MAINTENANCE SOLUTIONS
FLUSH VALVES
 FLUSH VALVE REPAIR PARTS

ZURN SENSOR

ZTS6300EV SERIES SENSOR FLUSH VALVE*

Item	Part #	Description
1	40291040	Vacuum breaker repair kit
2		Valve cap
3	30100059	9V Battery
4	40291410	Sensor Electronics
5	40291411	Solenoid
6		Cover screw
7	40296210	Piston cover kit (includes piston, cover and solenoid)
8		Cover O-ring
9		Tailpiece O-Ring
10	40296211	Manual Override Button

Item	Part #	Description
11, 12	40266146	1-1/2" Spud Coupling assembly
	40266140	1-1/4" Spud Coupling assembly
	40266125	3/4" Spud Coupling assembly
13		Vacuum breaker Tube
14	40261049	Vacuum breaker Tube Nut
15		Spud Nut
16		Spud Friction Washer
17		Spud Sleeve
18		Spud Escutcheon
19,20	40291019	Vandal-Resistant control stop cover and Set screw
21		Stop cap Bonnet

Item	Part #	Description
22		Stop Internals
23		Piston Seal
24		Stop Body
25		Sweat Solder Adapter
26		Supply cover Tube
27		Setscrew for Cast Wall Escutcheon
28		Cast Wall Escutcheon
29		Hex Wrench
30	40291017	VP Stop repair kit 3/4" and 1"
	40291210	Stop repair kit 1"
31	40296015	Control stop repair kit, 1"
	40296020	Control stop repair kit, 3/4"
32	40268788	Sweat Adapter kit, 3/4"
	40268782	Sweat Adapter kit, 1"



30100059 (3)



40291411 (5)



40291410 (4)



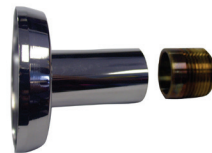
40296211 (10)



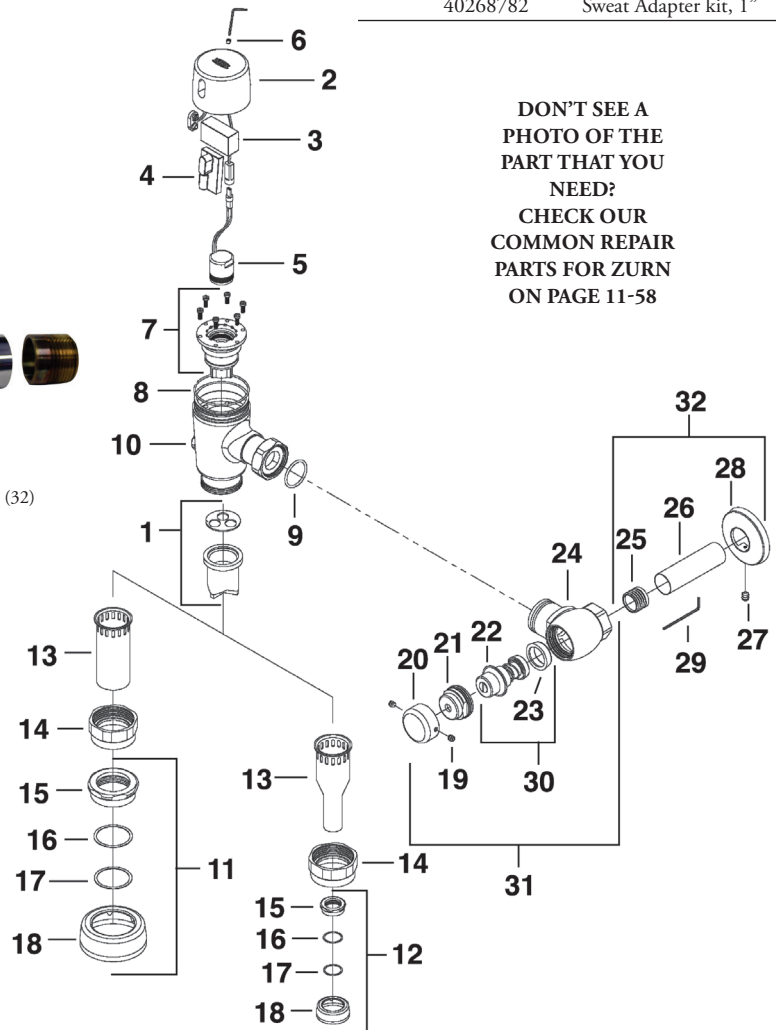
40291019 (19, 20)



40291017 (30)



40268788 (32)



DON'T SEE A PHOTO OF THE PART THAT YOU NEED?
 CHECK OUR COMMON REPAIR PARTS FOR ZURN ON PAGE 11-58

*Discontinued model. Parts are limited. Replaced by ZTR Series.

FLUSH VALVES

FLUSH VALVE REPAIR PARTS



ZURN SENSOR

ZP6800 SERIES

Item	Part #	Description
1		Jam plug
2		Jam nut
3		Cap
4		Gasket
5	40296806	Control board assembly
6		Cap base
7	40291500	Solenoid assembly (7-9)
8		Solenoid flange screw
9		Solenoid flange
10	40291505	Piston kit assembly
11		Cap screw
12-13		ZP Valve body
13	40291510	Manual override button
14	40296814	Tailpiece filter
15		Power interface module1
16	40296804	Battery box 2 w/ batteries
17		Alkaline batteries 3
18		Lithium batteries4
19		Piezo button
20		Stainless steel escutcheon
21		Spacer nut
22	40291515	Piezo button assembly
23		Stud
24		Nut
25		Lock washer
26		Washer
27		Support bar
28		Wall anchor assembly



40296806 (5, 6 left, 40296804 16 right)



40291500 (7)



40291505 (10)

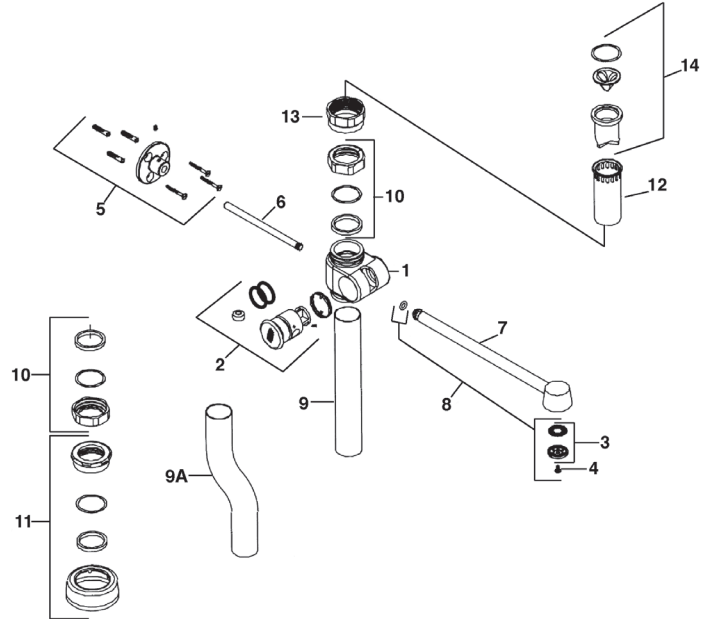


40291510 (13)



40291515 (22)

BEDPAN DIVERTER

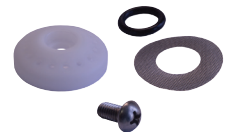


AQUAVANTAGE AV/AQUAFLUSH BEDPAN WASHER SERIES

Item	Part #	Description
1	40296021	Diverter body
2	40290072	Elbow assembly
3		Spray disc and screen
4		Spray disc screw
5		Wall flange with set screw and mounting hardware
6		Support rod
7		Spray arm assembly – 12"
8	40290070	Spray arm repair kit (includes O-ring, spray disc, screen and screw)
9		Bottom tube
9A		Optional offset tube
10		Coupling assembly
11		Spud coupling assembly
12		Vacuum breaker tube
13	40261049	Tube nut
14	40291040	Vacuum breaker repair kit
	40296022	Bedpan diverter rebuild kit (includes 8, 2 (except elbow, tube gasket)



40290072 (2)



40290070 (8)



40261049 (13)



40291040 (14)

